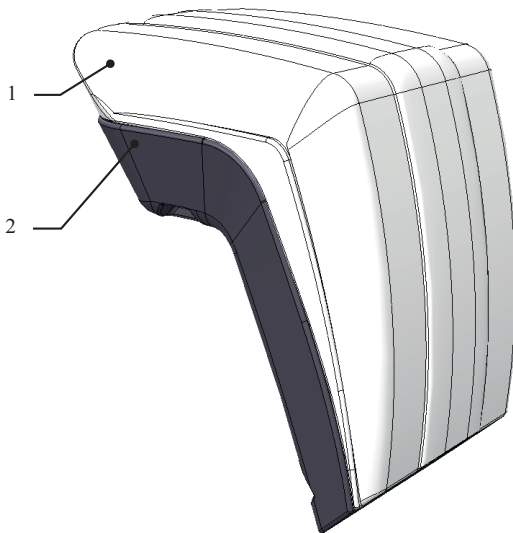


Accessories for CC-5000next

Designation **LED Signal light (PNP)**

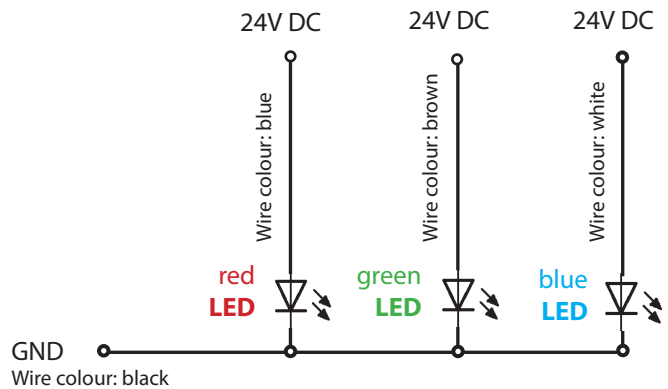
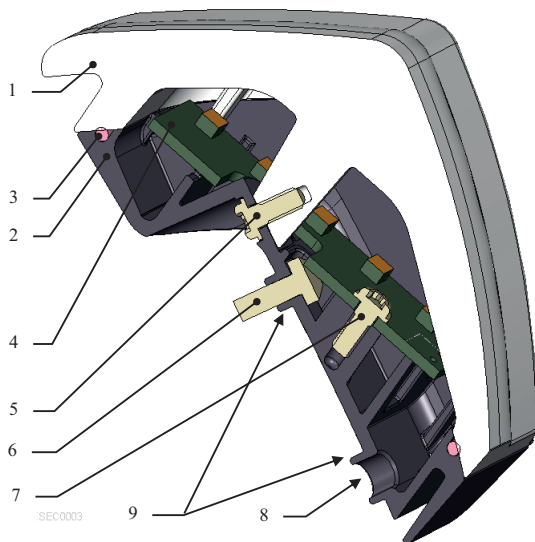
Article number **9806927000**



Description Individual frames

- 1 Luminous element, colour milky white
- 2 Lower section
- 3 Enclosure seal
- 4 Printed circuit board (PCB)
- 5 Enclosure screw
- 6 Mounting screw
- 7 Fastening screws for PCB
- 8 Cable outlet hole
- 9 Positioning pins

Circuit diagram



We reserve the right to make changes.

Properties table

Designation	Value	according to standard	Note
General information:			
Weight	80g		Empty weight
Dimensions	40x70x60mm		W x H x D
Cable	LIF9Y11Y		4x0,25mm ²
Cable length	700mm		
Cable diameter	3,8 mm		4 wires
Cable colour	black		

Materials:			
Luminous element	Polycarbonate		translucid milky white
Lower section	Polycarbonate		Traffic black RAL 9017
Printed circuit board	FR4		

Connection parameters:			
Voltage	24V		
Max. operating current	~92mA		
Maximum power consumption	2,5W		

Colour coding (binary table)				
Wire colour: black	GND			
	1 Δ +24V DC			
Wire colours \rightarrow	blue	brown	white	
None	0	0	0	
Red	1	0	0	
Green	0	1	0	
Blue	0	0	1	
Yellow	1	1	0	
Magenta	1	0	1	
Cyan	0	1	1	
White	1	1	1	

Further information:			
IP-Code	IP30	EN 60529	
General tolerances	mH	ISO 2768	

Approvals
Declarations of Conformity

RoHS	Directive 2002/95/EG
REACH	Regulation 1907/2006

We reserve the right to make changes.