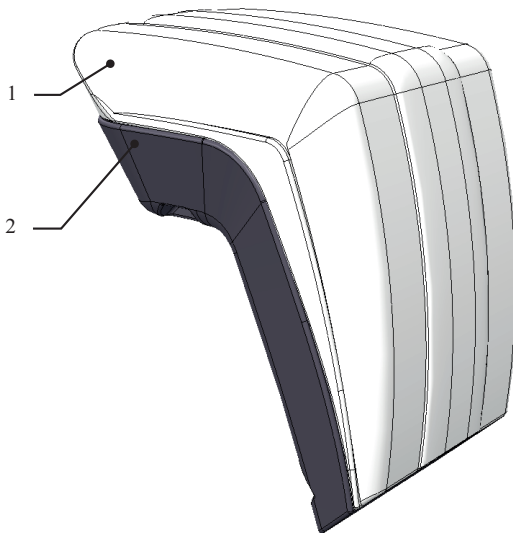


Accessories for CC-5000next

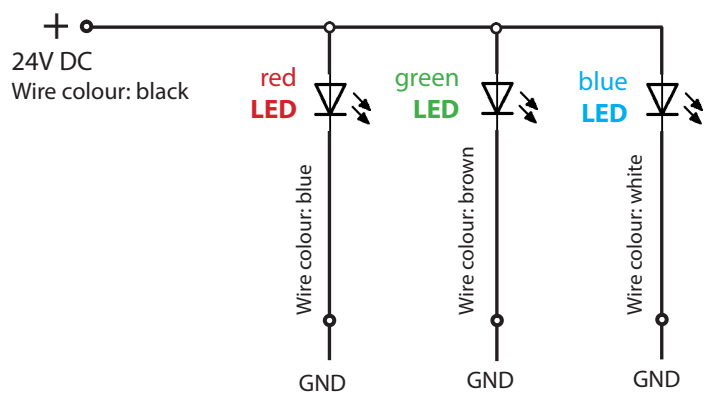
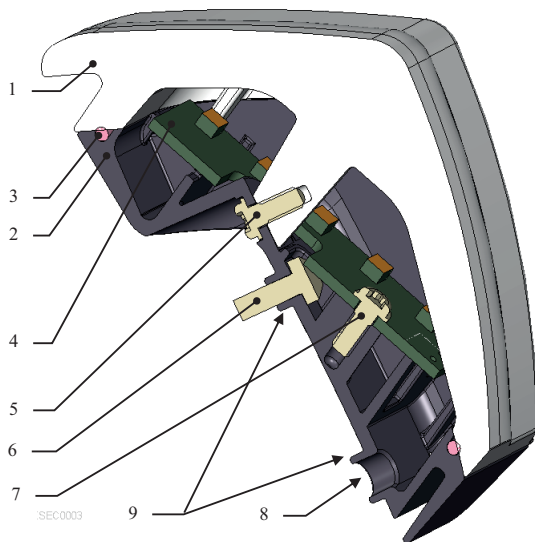
Designation **LED Signal light (NPN)** Artikelnummer 9806904000



Description Individual frames

- 1 Luminous element, colour milky white
- 2 Lower section
- 3 Enclosure seal
- 4 printed circuit board (PCB)
- 5 Enclosure screw
- 6 Mounting screw
- 7 Fastening screws for PCB
- 8 Cable outlet hole
- 9 Positioning pins

Circuit diagram



We reserve the right to make changes.

Properties table

Designation	Value	according to standard	Note
General information:			
Weight	80g		Empty weight
Dimensions	40x70x60mm		W x H x D
Cable	LIF9Y11Y		4x0,25mm ²
Cable length	700mm		
Cable diameter	3,8 mm		4 wires
Cable colour	black		

Materials:

Luminous element	Polycarbonate	translucid milky white
Lower section	Polycarbonate	Traffic black RAL 9017
Printed circuit board	FR4	

Connection parameters:

Voltage	24V
Maximum operating current	~92mA
Maximum power consumption	2,5W

Colour coding (binary table)

Wire colour black →	+24V DC		
	1 ≙ signal GND		
Wire colours →	blue	brown	white
None	0	0	0
Red	1	0	0
Green	0	1	0
Blue	0	0	1
Yellow	1	1	0
Magenta	1	0	1
Cyan	0	1	1
White	1	1	1

Further information:

IP-Code	IP30	EN 60529
General tolerances	mH	ISO 2768

Approvals
Declarations of Conformity

RoHS	Directive 2002/95/EG
REACH	Regulation 1907/2006

We reserve the right to make changes.