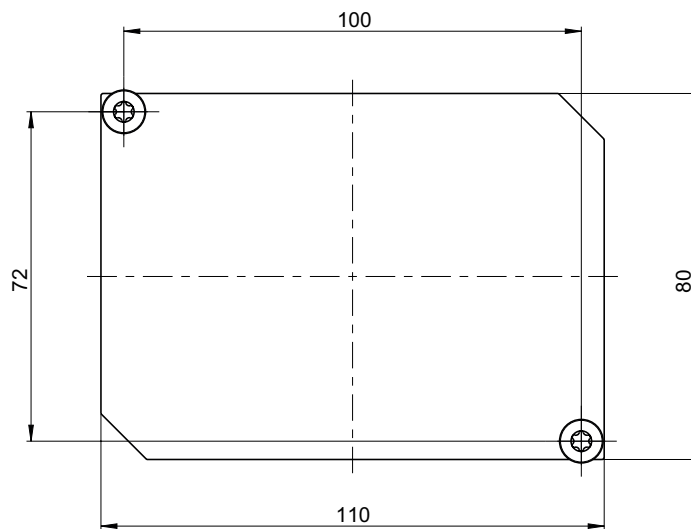
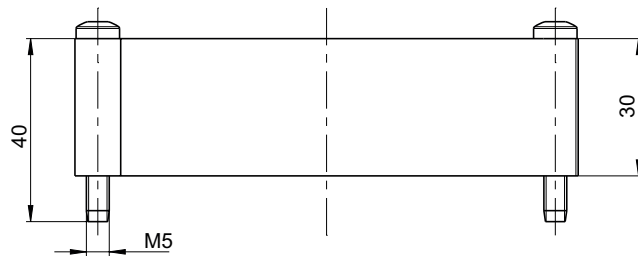
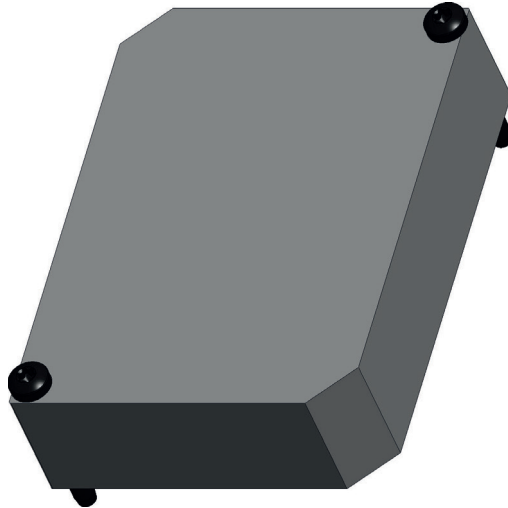
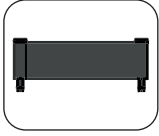


Type FLEX.BASE Weight

Article number 9806000145



Component pictograms



FLEX.BASE Weight
 Art.-Nr.:9806000145
 RAL 9006

Property chart			
Specification	Value	According to standard	Remark
General data:			
Dimensions (mm)	110 x 80 x 40 mm		
Weight	~ 2 kg		
Rated voltage	Max. 400 V (AC) Max. 48 V (DC)		
Protection class	I	EN 61140 / VDE 0140-1	Protection by protective conductor
Temperature range	-5°C bis +70°C		
Material	1.0038		