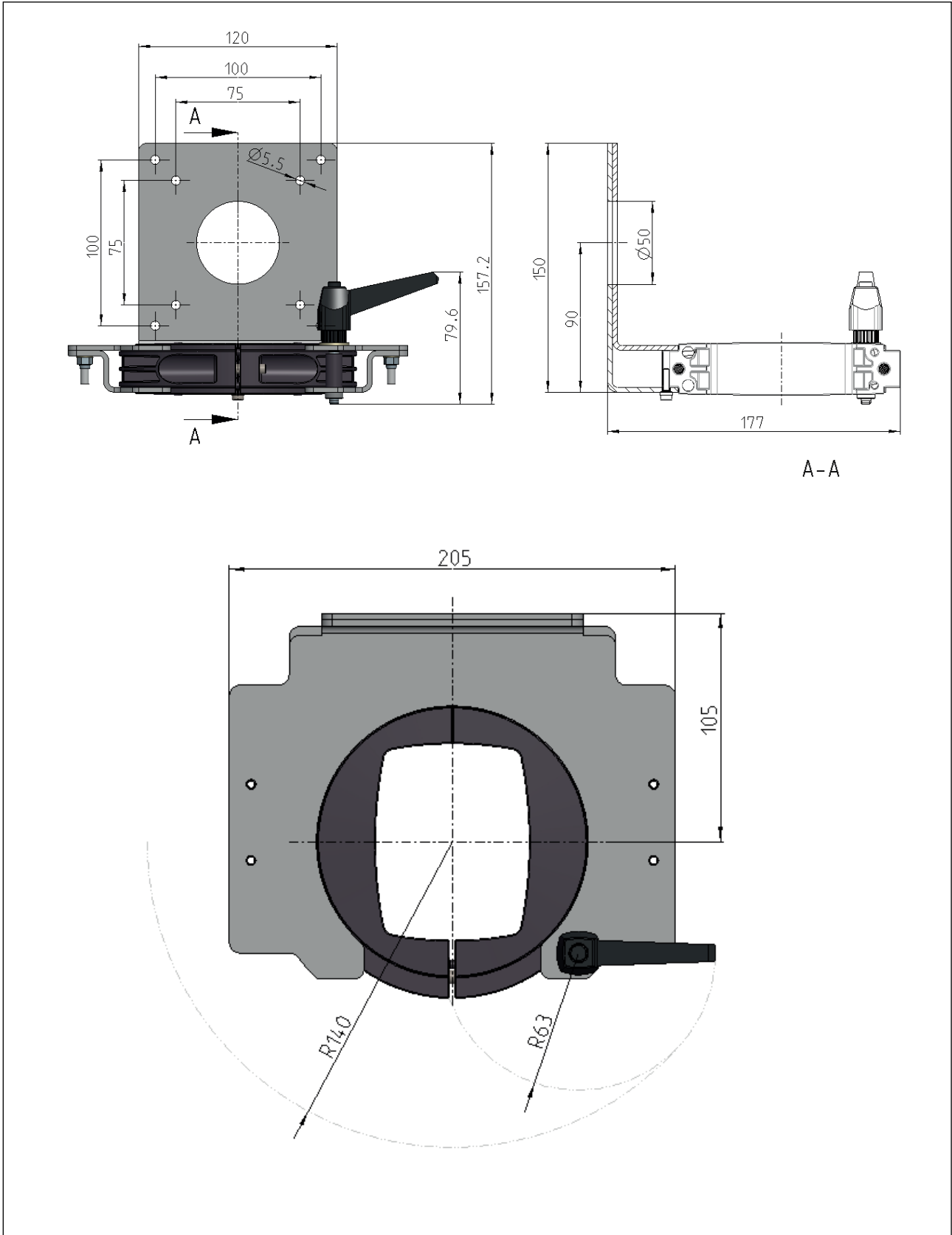


Type **ERGO.SLIDE1 IPC connection (for support system CS-3000)**

9806000138



Component pictograms



ERGO.SLIDE1 IPC connection  
 Art.-Nr.:9806000138  
 RAL 9006

Property chart			
Specification	Value	According to standard	Remark
<b>General data:</b>			
Weight	~ 2 kg		
Dimensions (mm)	W x H x D		
W x H x D	205 x 177 x 157,2		
Protection classes	none		
Protection class	none		
Temperature range	0°C bis +70°C		
<b>Material</b>			
Keyboard shelf:			
Sheet metal components	Steel powder-coated		
Pipe Clamp	PA6 GF30		
<b>Surface / Colour</b>			
Keyboard shelf:			
Sheet metal components	powder-coated RAL9006		
Pipe Clamp	black		