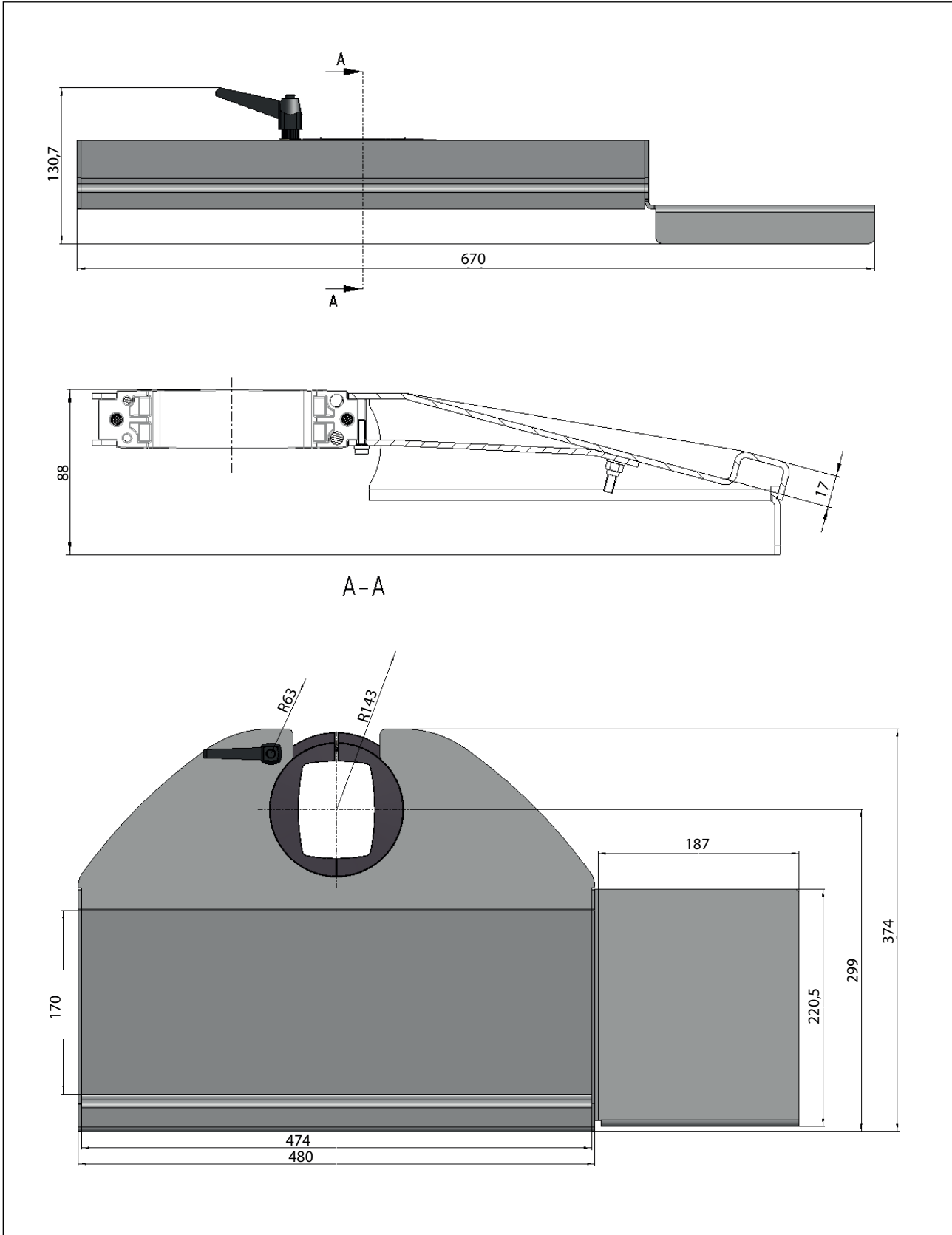


Type **ERGO.SLIDE1** Sheet metal shelf (for support system CS-3000) Article number 9806000112



Component pictograms



ERGO.SLIDE1 Sheet metal shelf
 Art.-Nr.:9806000112
 RAL 9006

Property chart			
Specification	Value	According to standard	Remark
General data:			
Weight	~ 7 kg		
Dimensions (mm)	W x H x D		
W x H x D	670 x 374 x 88		
Protection classes	none		
Protection class	none		
Temperature range	0°C bis +70°C		
Material			
Keyboard shelf:			
Sheet metal components	Steel powder-coated		
Pipe Clamp	PA6 GF30		
Surface / Colour			
Keyboard shelf:			
Sheet metal components	powder-coated RAL9006		
Pipe Clamp	black		