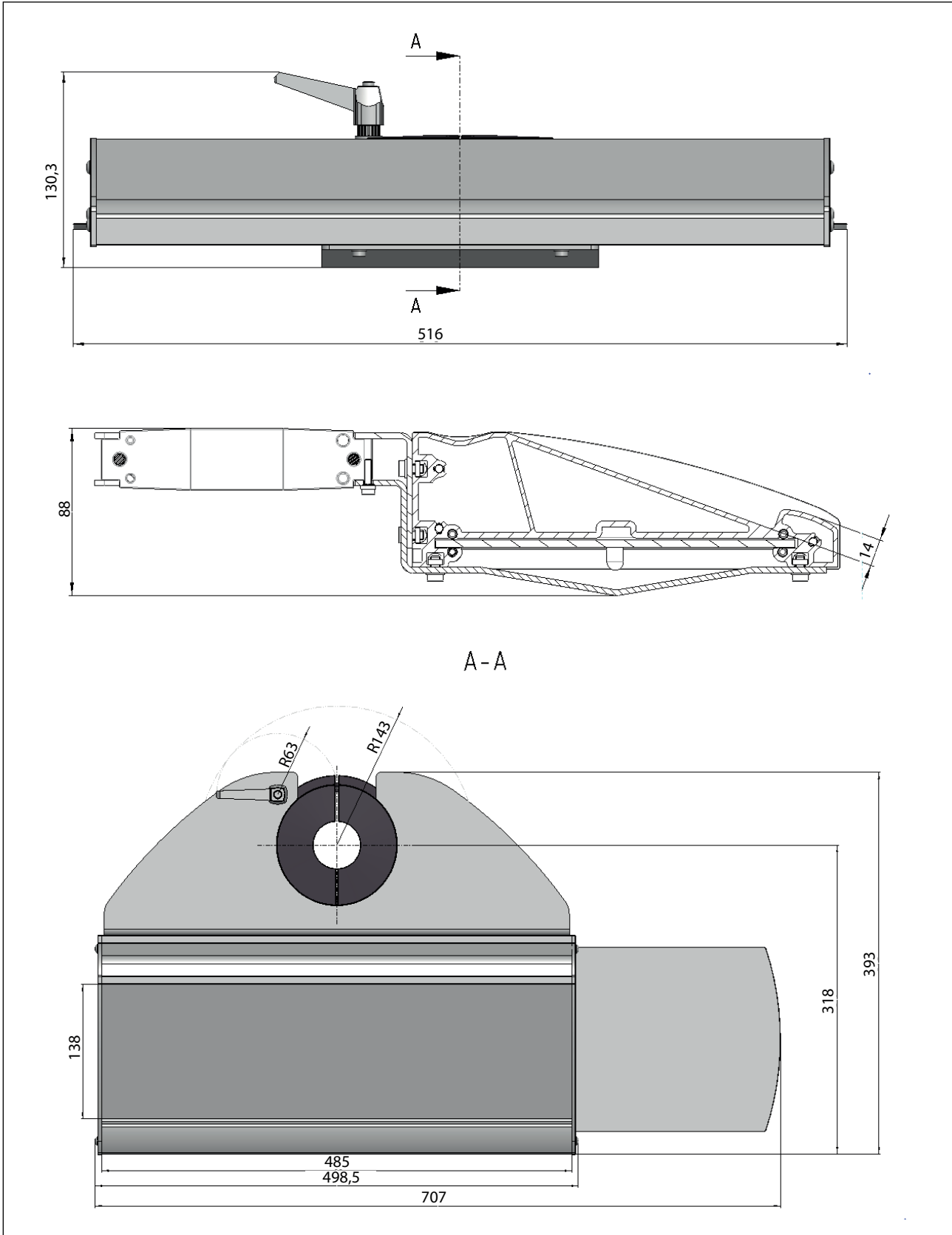
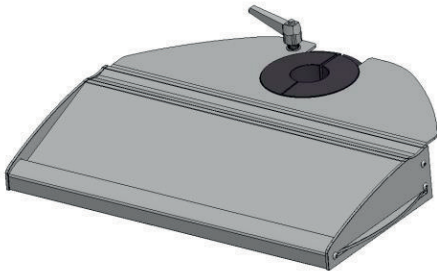


Type ERGO.SLIDE3 CS-4000neXt tray (for support system CS-480 B.flex)

9806000111



Component pictograms



ERGO.SLIDE3 CS-4000neXt shelf  
 Art.-Nr.:9806000111  
 RAL 9006

Property chart			
Specification	Value	According to standard	Remark
<b>General data:</b>			
Weight	~ 9 kg		
Dimensions (mm)	W x H x D		
Mousepad pushed in	516 x 393 x 88		
Mousepad pulled out	707 x 393 x 88		
Protection classes	none		
Protection class	none		
Temperature range	0°C bis +70°C		
<b>Material</b>			
Keyboard shelf:			
Sheet metal components	Steel powder-coated		
Profile	Aluminium		
Pipe Clamp	PA6 GF30		
<b>Surface / Colour</b>			
Keyboard shelf:			
Sheet metal components	powder-coated RAL9006		
Profile	natural anodised		
Pipe Clamp	black		