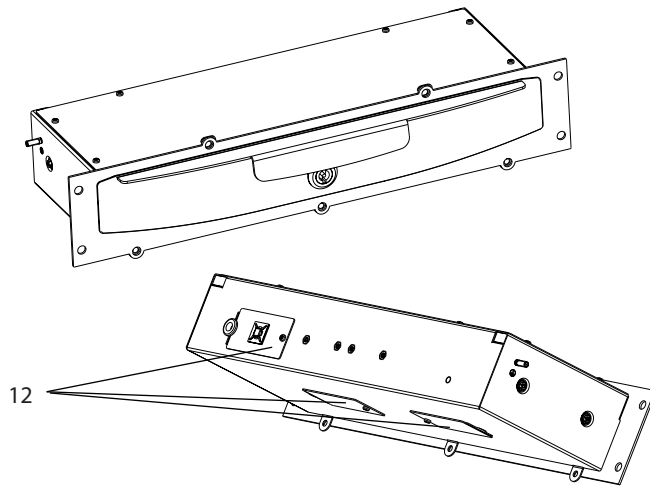


Type **Keyboard drawer with interlock**

Article number 9286271000



1. Enclosure
2. Enclosure cover
3. Enclosure front panel
4. Gasket
5. Telescopic rail
6. Detent element
7. Keyboard shelf
8. Grip strip
9. Keyboard grounding strap
→ e.g. for GETT TKV-086-TOUCH
10. Keyboard labels window
11. Grounding connection bolt
12. cover plates
→ supply line openings
13. Interlock: Standard Two-way bit 3

Figure A: Drawer closed

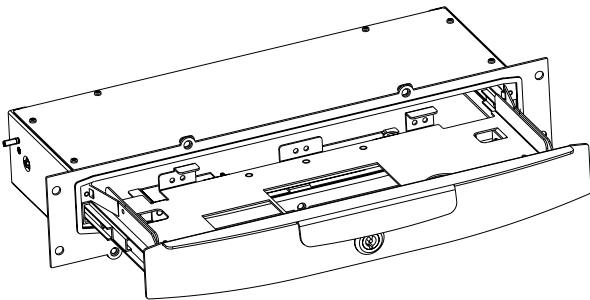


Figure B: Drawer open - 0°

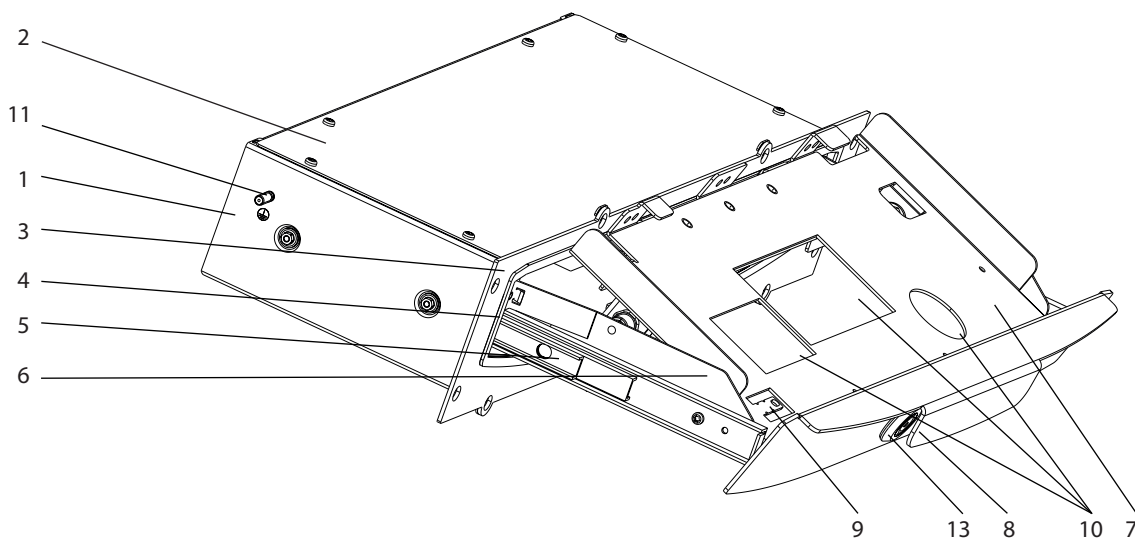


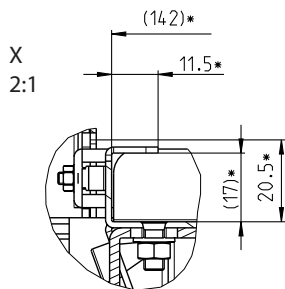
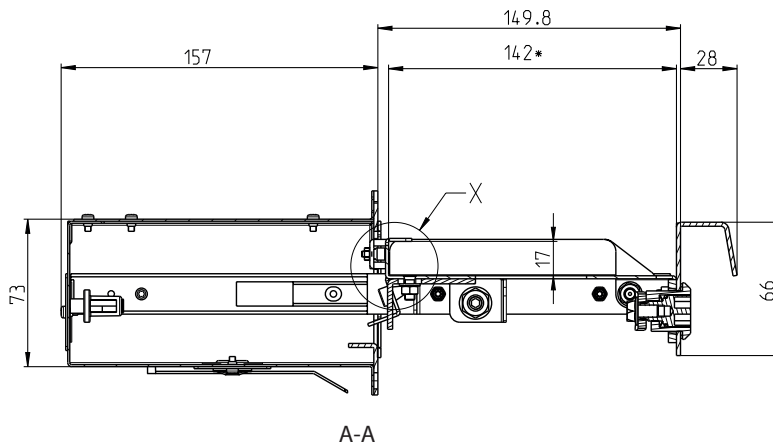
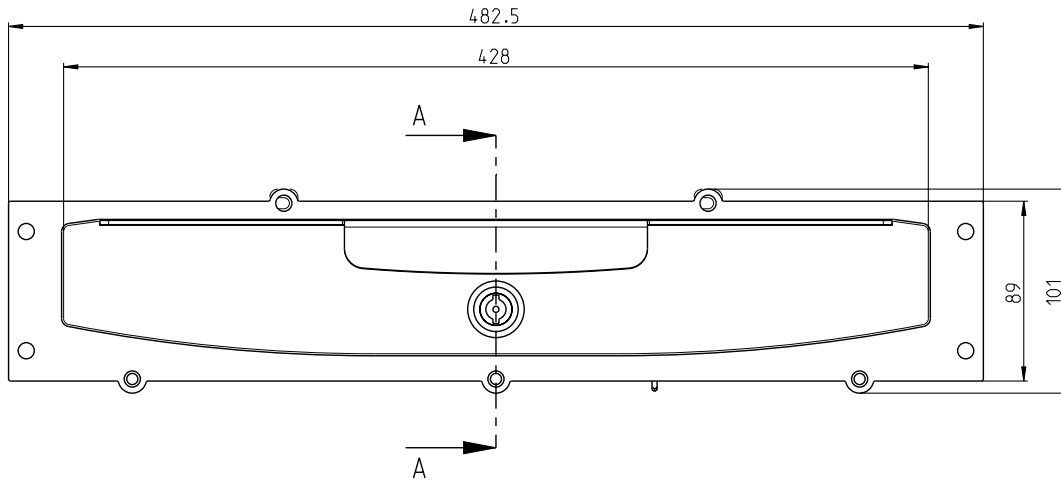
Figure C: Drawer open and 20° swung in

Properties table			
Specification	Value	According to standard	Remark
General information:			
Weight	~ 3850 g		
Dimensions (mm)			
W x H x D	482,5 x 101 x 187,5		
Protection classes			
IP - code	IP65	DIN EN 60529: 9.2014	In the installed condition and with closed grip strip
Material			
Enclosure parts	Galvanised steel		
Gasket	Seal: PU foam (Poron 4790-92) UL: JMST2.MH15464	ANSI / UL 157	Colour: black
Drawer front	Galvanised steel, powder-coated RAL 9006		
Grounding bolt	Galvanised steel		

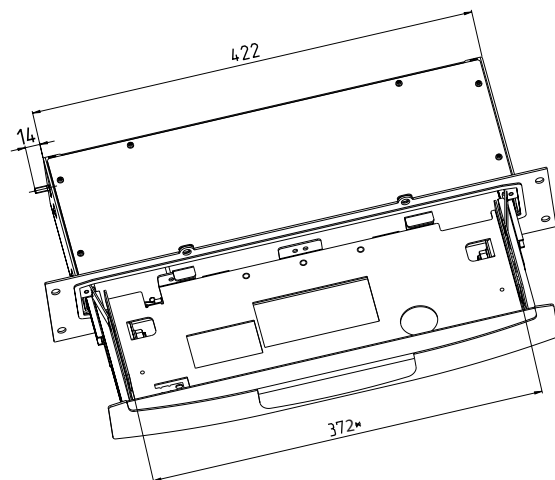
Electrical characteristics:			
Insulation test	15mΩ	DIN EN 62208	

Product features
<ul style="list-style-type: none"> - Mounting area: min = 497x132mm (19" 2HE) - Keyboard tray can be tilted by 20° - locking action prevents accidental retraction - Max. tray surface for keyboard: 372 x 142 mm (W x D). Height see drawing. - Nuts included in delivery for mounting on mounting surface. - Handle strip to open and close reliably without any angular misalignment - Locking action when open to prevent it from closing accidentally - Mechanical latch for closing - Locking drawer with standard cabinet lock with various forms of actuation, such as two-way key bit, triangular / square etc. - Cable apertures on the underside and on the back of the sliding drawer compartment

Keyboard drawer dimensions



max.
keyboard height



* = internal dimension for possible keyboards

Example for cut-out dimensions on front panel (Not included in delivery!)

