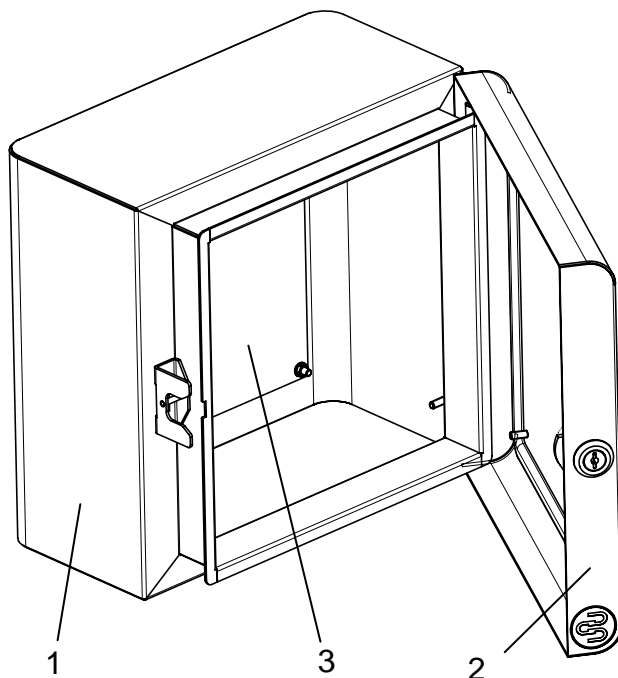


Technical Data

Stainless Steel Enclosure

ProControl



Pos.	Name
1	Corpus
2	Front door
3	Mounting plate

Notes:

Machining for suspension system to customers specifications

Door hinging left or right

Components supplied:

Grounding set, Mounting plate

5-mm-two-way key safety lock

Mechanical Data

Article No.	Dimensions (BxHxT)	Mounting area (BxHxT)	Mounting plate (BxHxT)	Weight kg
180.3010.001	310 x 300 x 180	250 x 250 x 160	245 x 245 x 2	6,6
180.3010.002	410 x 350 x 180	350 x 300 x 160	345 x 295 x 2	9,3
180.3010.003	410 x 400 x 180	350 x 350 x 160	345 x 345 x 2	10,4
180.3010.004	510 x 400 x 180	450 x 350 x 160	445 x 345 x 2	12,4
180.3010.005	610 x 550 x 250	550 x 500 x 230	545 x 495 x 2	20,6

Protection type IP 65 / 66

Material

Enclosure	1.4301, finishing scotch brite
Mounting plate	1.4301, finishing scotch brite
Gasket	PU-foam

This document will not become the contractual basis; the details included herein do not constitute any descriptions of expected conditions, so that warranties/claims for defects on account of possible variations of the actual qualities from the qualities described herein are explicitly excluded. All rights reserved. Specifications subject to change without notice!

Date of issue: 04.06.2009 / Page 1 of 1
Document: 7100063000_en / Last update: 1 / 1045-09