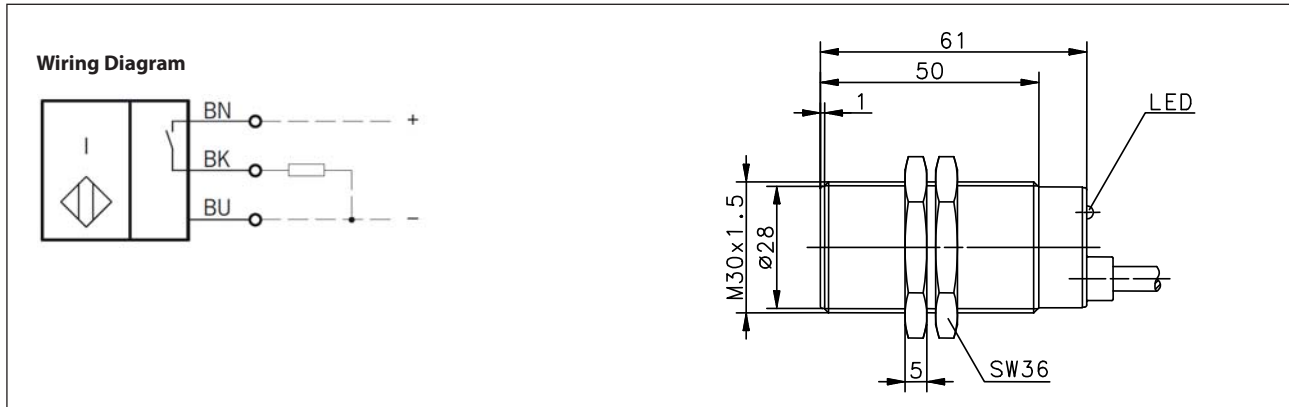


## Inductive Proximity Switch Series M30

Description **KIB-M30PS/010-KL2**

Article number **6932907001**



### Identifying characteristics in accordance with EN 60947-5-2

Electrical data		
Rated operating distance	$S_n$	10 mm
Standard target		30 mm x 30 mm, t = 1 mm; material: FE360
Real sensing distance	$S_r$	9 ... 11 mm
Assured operating distance	$S_a$	0 ... 8,1 mm
Switching element function		DC, N.O.; Open Collector Output
Repeat accuracy	R	≤ 5 %
Differential travel (hysteresis)	H	≈ 10 %
Operational voltage range	$U_B$	10 - 36 V DC
Rated insulation voltage	$U_i$	75 V DC
Rated impulse withstand voltage	$U_{imp}$	500 V
Voltage drop	$U_d$	≤ 1,5 V
Utilization category		DC-13
Rated operational current	$I_e$	200 mA
Minimum operating current	$I_m$	≤ 1 mA
Off-state current	$I_r$	≤ 0,3 mA
No-load supply current	$I_o$	≤ 11 mA
Switching element		Permanent overload and s.c.p.
Short-circuit protection		pulsed
Frequency of operating cycles	f	300 Hz
Mounting		flush
False polarity protection		yes
Time delay before availability	$t_v$	< 50 ms

<b>Electromagnetic compatibility (EMC)</b>	
Electromagnetic field test	IEC 61000-4-3
Electrostatic discharge test	IEC 61000-4-2
Electrical fast transient immunity test	IEC 61000-4-4
Radiated disturbance field strength	EN 55011

<b>Mechanical Data</b>	
Front cap	PA 6.6, black
Enclosure	Brass, nickel plated
End cap	PA 12, black
Ambient air temperature	-25 °C ... +70 °C
Type of protection	IP67
Pollution degree	3 (Pollution of the active zone can cause impairments of the operating distances.)
Indication	LED yellow
Termination type	Cable 3 x 0,5 mm <sup>2</sup> x 2 m ± 5 %; PVC – Outer jacket, black
For attachment	2 x hexagon nut

<b>Product reliability (in acc. with DIN EN 61709 (SN 29500))</b>	
MTTF (at 40 °C)	> 900 years

<b>EU Conformity</b>	
	acc. to directive 2004 / 108 / EC