

# Technical Data

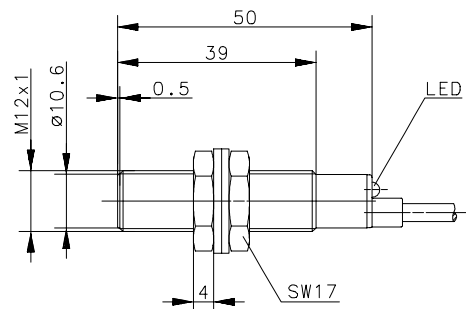
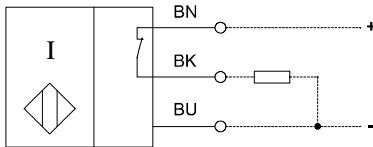
## Inductive Proximity Switch

### Series M12

Description **KIB-M12PÖ/002-KL2**

Article number **6932703001**

#### Wiring Diagram



#### Identifying characteristics in accordance with EN 60947-5-2

##### Electrical data

|   |           |  |
|---|-----------|--|
| Rated operating distance                | $S_n$     | 2mm  |
| Standard target                         |           | 12mm x 12mm, t = 1mm; material: FE360                  |
| Effective operating distance            | $S_r$     | 1,8 ... 2,2mm  |
| Assured operating distance              | $S_a$     | 0 ... 1,6mm  |
| Switching element function              |           | DC, N.C.; Open Collector                               |
| Repeat accuracy                         | R         | ≤ 5%   |
| Differential travel (hysteresis)        | H         | ≈ 10%  |
| Operational voltage range               | $U_B$     | 10 - 36V DC  |
| Rated insulation voltage                | $U_i$     | 75V DC   |
| Rated impulse withstand voltage         | $U_{imp}$ | 500V   |
| Voltage drop                            | $U_d$     | ≤ 1,5V (add. 0,06V per m cable and 200mA Load at 20°C) |
| Utilization category                    |           | DC-13  |
| Rated operational current               | $I_e$     | ≤ 200mA  |
| Minimum operational current             | $I_m$     | ≤ 1mA  |
| Off-state current                       | $I_r$     | < 0,3mA  |
| No-load supply current                  | $I_o$     | ≤ 11mA   |
| Rated conditional short-circuit current |           | 100A   |
| Switching element                       |           | Permanent overload and s.c.p.                          |
| Short-circuit protection                |           | pulsed   |
| Frequency of operating cycles           | f         | 800Hz  |
| Rated supply frequency                  |           | DC   |
| Mounting                                |           | flush  |
| False polarity protection               |           | yes  |
| Time delay before availability          | $t_v$     | ≤ 50ms   |

##### Electromagnetic compatibility (EMC)

|   |               |
|---|---------------|
| Electromagnetic field test              | IEC 61000-4-3 |
| Electrostatic discharge test            | IEC 61000-4-2 |
| Electrical fast transient immunity test | IEC 61000-4-4 |
| Radiated disturbance field strength     | EN 55011      |

##### Mechanical Data

|                         |  |
|-------------------------|--|
| Front cap               | PA 6.6, black  |
| Enclosure               | Brass, nickel plated   |
| End cap                 | PA 6.6, black  |
| Ambient air temperature | -25°C ... +70°C  |
| Type of protection      | IP67   |
| Pollution degree        | 3 (Pollution of the active zone can cause impairments of the operating distances.) |
| Indication              | LED yellow   |
| Termination type        | Cable 3 x 0,14mm <sup>2</sup> x 2m ±5%; PVC – Outer jacket, black                  |
| For attachment          | 2 x hexagon nut and 2 x toothed washer   |

##### EU Conformity



This document will not become the contractual basis; the details included herein do not constitute any descriptions of expected conditions, so that warranties/claims for defects on account of possible variations of the actual qualities from the qualities described herein are explicitly excluded. All rights reserved. Specifications subject to change without notice!

Date of issue: 25.10.2005 / Page 1 of 1  
 Document : 6932703001\_en / Last update: 1 / 0657-05