

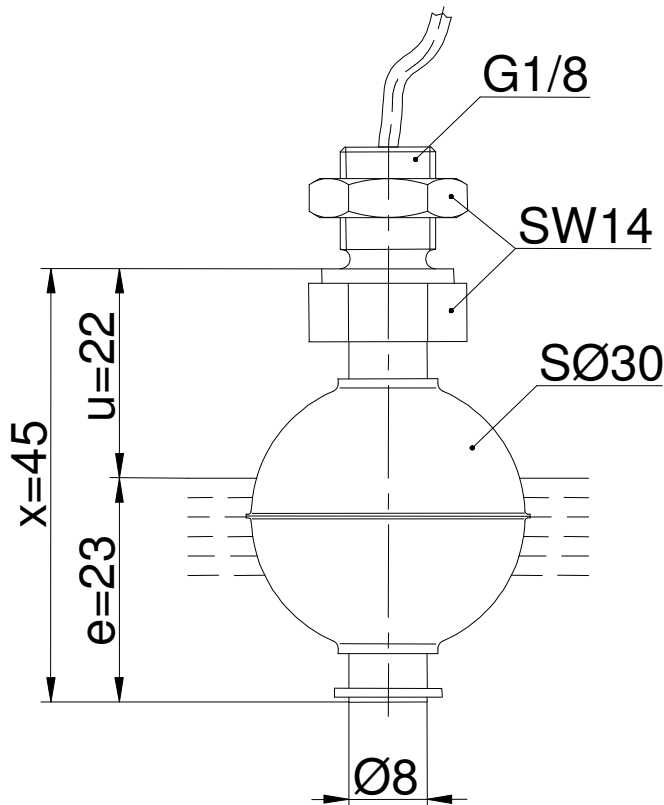
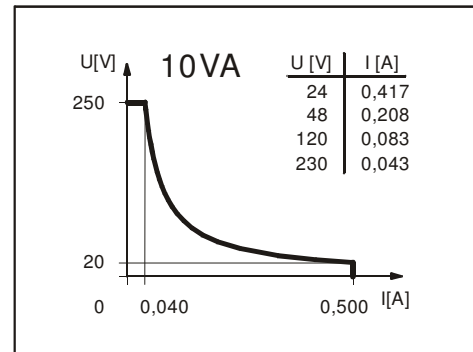
# Technical Data

## Magnetic Float Switch

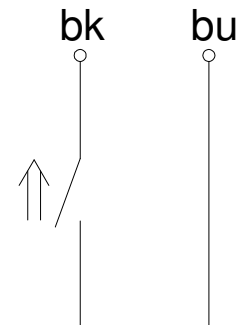
Typ: **MAN-082 0045**

Art.-No.: **6899190003\_02**

### Performance diagram (maximum data)



### Wiring diagramm (matching to the drawing)



### Electrical Data (maximum data)

contact:	max. voltage	250 V
	max. switching current	0,5 A
	max. switching capacity	10 VA
switching function	1 normally-open contact, falling level The switching function can be changed from N.O. to N.C. by turning the float up to 180°.	
direction category	AC-22A and DC-22A acc. to DIN VDE 0660 T107 (IEC 947-3-1 / EN 60947-3-1)	
standard	acc. to DIN VDE 0660 T200 (IEC 947-5-1 / EN 60947-5-1)	

This document will not become the contractual basis; the details included herein do not constitute any descriptions of expected conditions, so that warranties/claims for defects on account of possible variations of the actual qualities from the qualities described herein are explicitly excluded. All rights reserved. Specifications subject to change without notice!

Date of issue: 09.06.2005 / Page 1 of 1  
Document : 6899190003\_02\_eng / Last update: 1 / 0000-00

# Technical Data

## Magnetic Float Switch

### Mechanical Data

hexagon nut material	Niro 1.4305
box material	Niro 1.4305
float material	X 6 CrNiMoTi 17 12 2 (1.4571)
-density	about 0,65 g/cm <sup>3</sup> ±10%
-immersion depth	18 mm ±2 mm ( to a fluid-density of 1 g/cm <sup>3</sup> )
ring-seeger material	X 35 CrMo 17X 6 CrNiMoTi 17 12 2 (1.4571)
temperature range	from -5°C to +60°C
mech. lifetime	10 <sup>7</sup> to 10 <sup>9</sup> switches depending on the load
mode of connection	1m cable, PVC, 2x0,34mm <sup>2</sup>
protection class	IP 65 acc. to DIN VDE 0470 T1 (ICE 529 / EN 60529)
max. pressure	5 bar

### General details

Reproducibility of switching points is ±0.05mm based on the same geometrical conditions as of a switch device.

The measures of the switching points refer to a fluid-tight of 1 g/cm<sup>3</sup>.

The tolerance of the switching points is ±2 mm.

Pay attention to the contact protection, when switching inductive loads. Maximum data must not be exceeded!

This document will not become the contractual basis; the details included herein do not constitute any descriptions of expected conditions, so that warranties/claims for defects on account of possible variations of the actual qualities from the qualities described herein are explicitly excluded. All rights reserved. Specifications subject to change without notice!

Date of issue: 09.06.2005 / Page 2 of 2  
Document : 6899190003\_02\_eng / Last update: 1 / 0000-00