

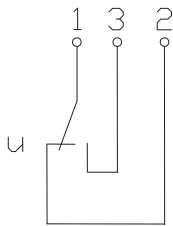
# Float switch

## Series Miniature-Float switch

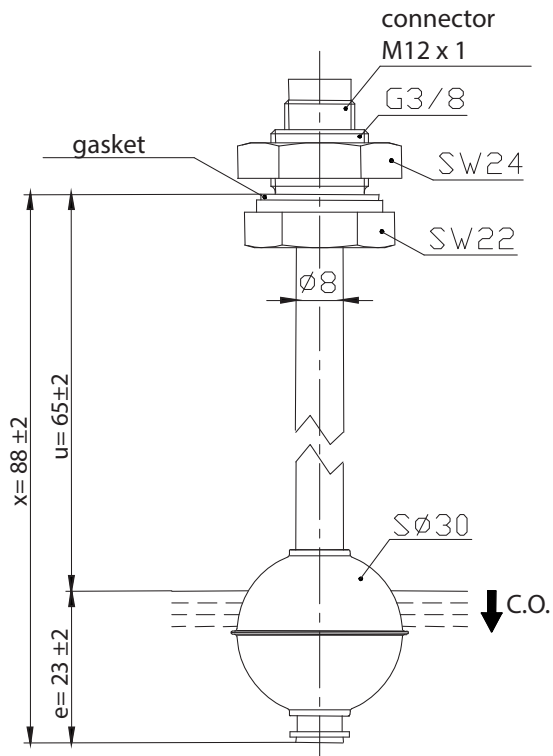
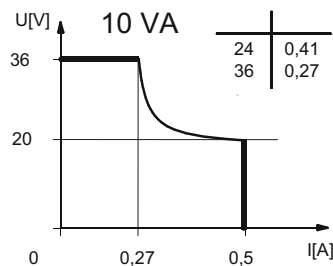
Description **MSN1-NI-R3/8ST-U 0088**

Article number **6895177002**

### Wiring diagram (non-actuated state)



### Performance diagram



### Electrical data

Rated voltage	$U_r$	36 V
max. switching current		0,5 A
max. switching capacity		10 VA
Rated insulation voltage	$U_i$	50 V AC
Bemessungsstoßspannungsfestigkeit	$U_{imp}$	0,5 kV AC
Overvoltage category		II
mechanical life		$10^7$ to $10^9$ switches depending on the load
Switching element		1 C.O., falling level

### Notes

Only use in circuits with protective separation.

Mechanical data	
Bolting material	X6CrNiMoTi17-12-2 (1.4571)
Hexagon nut material	X10CrNiS18-9 (1.4305)
Switching tube material	X6CrNiMoTi17-12-2 (1.4571)
Float material	X6CrNiMoTi17-12-2 (1.4571)
- density	about 0,65 g/cm <sup>3</sup> ±10 %
- depth of immersion	18 mm ± 2 mm ( to a fluid-density of 1 g/cm <sup>3</sup> )
Gasket material	NBR
Grip ring material	X5CrMo17-12-2 (1.4122)
Ambient air temperature	-40 °C to +90 °C
Liquid temperature	-40 °C to +90 °C
Connection	Plug M12x1 (4-pole, A-coded)
Protection type	IP 65 acc to IEC529 / EN 60529 (only in fully locked position with it's plugs)
Max. pressure	10 bar

Standards
DIN EN 50178

**General details**

Repeatability of switching points is ±0,05 mm based on the same geometrical conditions as of a switch device.  
 The measures of the switching points refer to a fluid-density of 1 g/cm<sup>3</sup>.  
 The tolerance of the switching points is ±2 mm  
 Pay attention to the contact protection, when switching inductive or capacitive loads. Maximum data must not be exceeded!

