

## Float switch

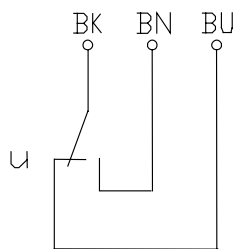
### Series Miniature-Float switch

Description **MSN1-NI-PG7-U 0045**

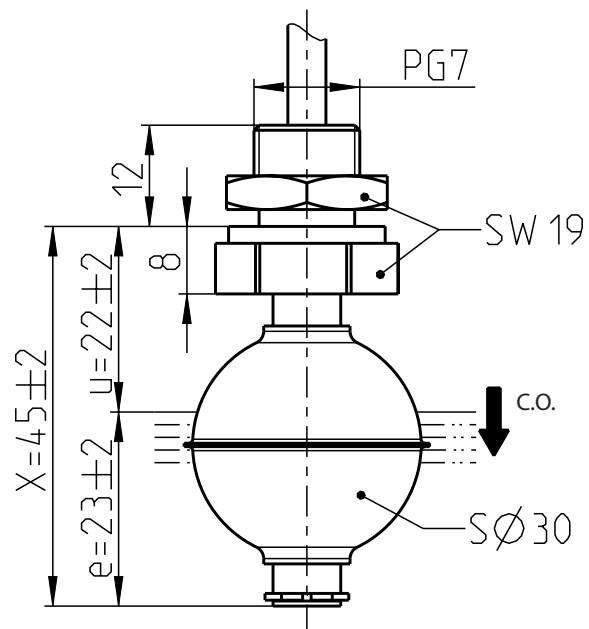
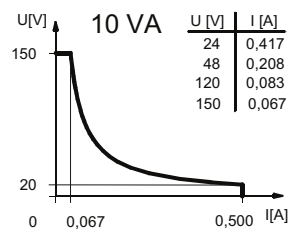
Article number **6895174002**

#### Wiring diagram

(non-actuated state)



#### Performance diagram



#### Electrical data

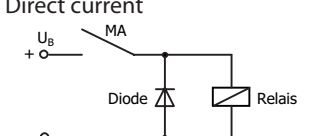
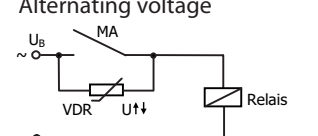
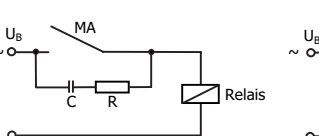
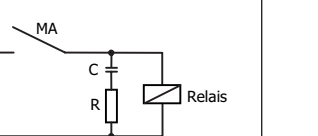
|                                 |           |                         |
|---------------------------------|-----------|-------------------------|
| Rated voltage                   | $U_r$     | 150 V                   |
| max. switching current          |           | 0,5 A                   |
| max. switching capacity         |           | 10 VA                   |
| Rated insulation voltage        | $U_i$     | 300 V AC                |
| Rated impulse withstand voltage | $U_{imp}$ | 4 kV AC                 |
| Overvoltage category            |           | II                      |
| Switching element               |           | 1 x C.O., falling level |
| Protection class                |           | II (totally insulated)  |

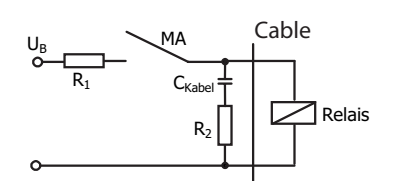
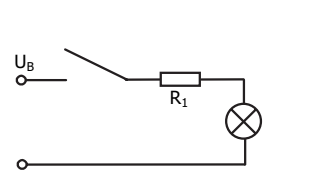
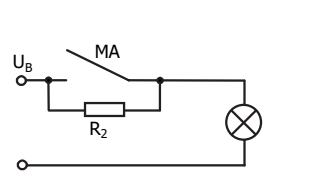
| Mechanical data         |  |
|-------------------------|--|
| Terminal box material   | X8CrNiS18-9 (1.4305)   |
| Hexagonal nut material  | X8CrNiS18-9 (1.4305)   |
| Float material          | X6CrNiMoTi17-12-2 (1.4571)                                   |
| - density               | about 0,67 g/cm <sup>3</sup> ±10 %                           |
| - depth of immersion    | 19,5 mm ± 2 mm ( to a fluid-density of 1 g/cm <sup>3</sup> ) |
| Grip screw material     | X12CrNi17-7 (1.4310)   |
| Ambient air temperature | -5 °C to +60 °C  |
| Liquid temperature      | -5 °C to +60 °C  |
| Connection              | Cable 3 x 0,34 mm <sup>2</sup> x 1 m, PVC                    |
| Protection type         | IP65 acc. to IEC529 / EN 60529                               |
| Max. pressure           | 10 bar   |

| Standards        |
|------------------|
| DIN EN 60947-5-1 |

| EU Conformity  |
|--|
| acc. to directive 2014/35/EU (Low-Voltage-Directive) |

| General details   |
|---|
| The measures of the switching points refer to a fluid-density of 1 g/cm <sup>3</sup> .<br>The tolerance of the switching points is ±2 mm<br>Pay attention to the contact protection, when switching inductive or capacitive loads. Maximum data must not be exceeded! |

| Inductive loads  |
|--|
| <div style="display: flex; justify-content: space-between;"> <div style="width: 24%;"> <p><b>Direct current</b></p>  <p>Suppression of voltage peaks with a free-wheeling diode</p> </div> <div style="width: 24%;"> <p><b>Alternating voltage</b></p>  <p>Suppression of voltage peaks with a VDR</p> </div> <div style="width: 24%;">  <p>Suppression of voltage peaks with an RC element</p> </div> <div style="width: 24%;">  </div> </div> |

| Capacitive loads and lamp loads   |
|---|
|    <p>Contact protection with resistors for limiting current</p> |