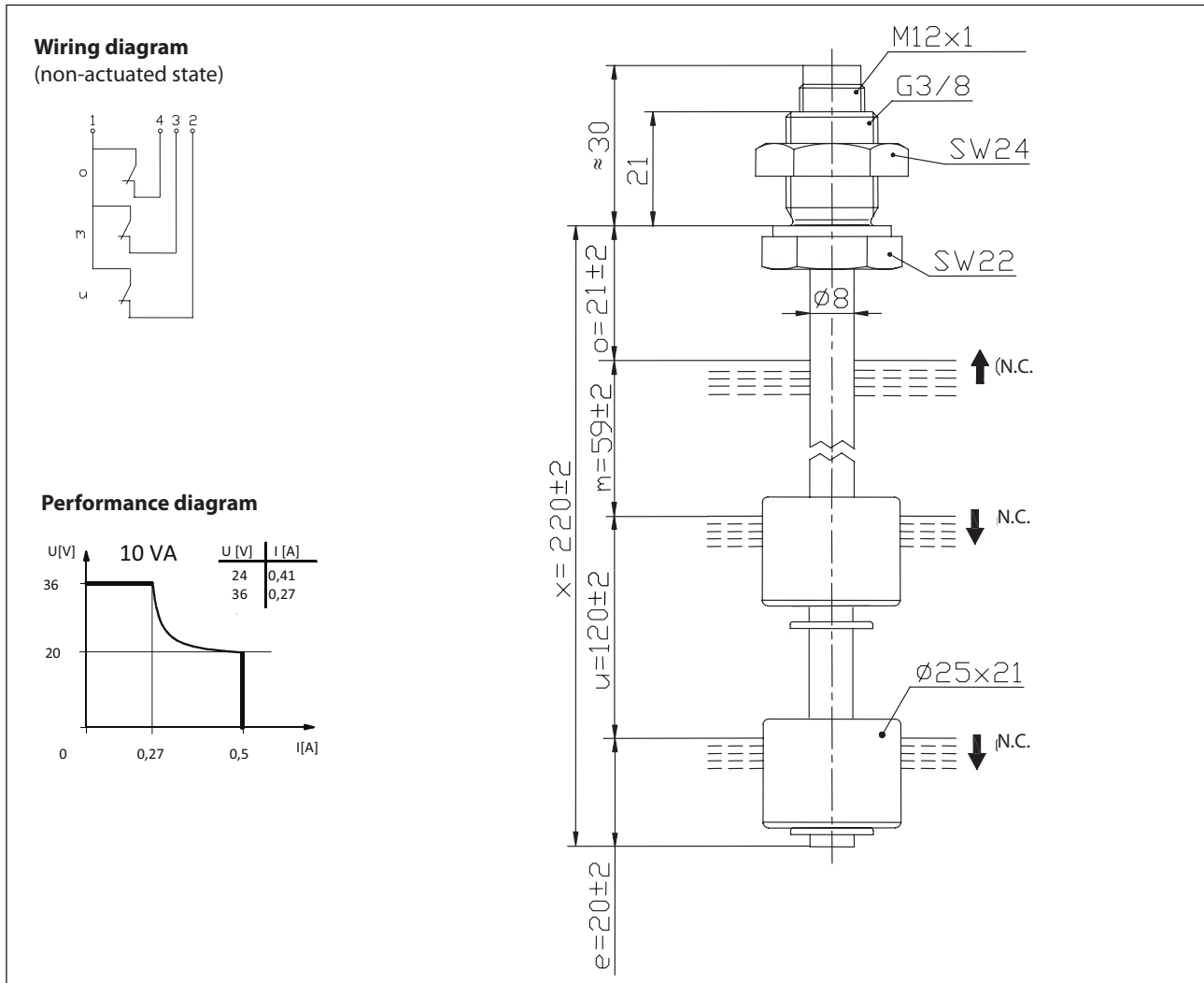


# Float switch

## Series Miniature-Float switch

Description **MSK1-NI-R3/8ST-30 0220**

Article number **6895117004**



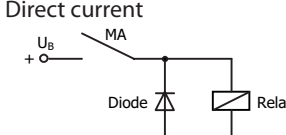
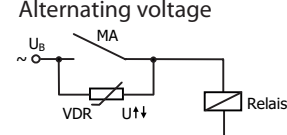
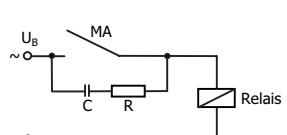
Electrical data			
Rated voltage	$U_r$	36 V	
max. switching current		0,5 A	
max. switching capacity		10 VA	
Rated insulation voltage	$U_i$	50 V AC	
Rated impulse withstand voltage	$U_{imp}$	500 V AC	
mechanical life		10 <sup>7</sup> to 10 <sup>9</sup> switches	
Switching element		2 N.C., falling level	
		1 N.C., rising level	

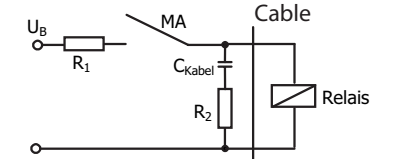
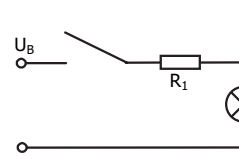
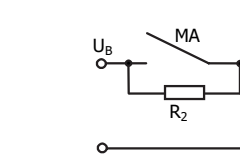
Mechanical data	
Hexagon nut material	X10CrNiS 18-9 (1.4305)
Bolting material	X6CrNiMoTi17-12-2 (1.4571)
Switching tube material	X6CrNiMoTi17-12-2 (1.4571)
Float material	PP
- density	about 0,55 g/cm <sup>3</sup> ±10 %
- depth of immersion	12 mm ± 2 mm ( to a fluid-density of 1 g/cm <sup>3</sup> )
Grip screw material	X35CrMo17-12-2 (1.4122)
Ambient air temperature	-5 °C to +60 °C
Liquid temperature	-5 °C to +60 °C
Connection	Plug connection (M12x1, 4 pole)
Protection type	IP 65 acc to IEC529 / EN 60529 (only in fully locked position with it's plugs)
Max. pressure	5 bar

Standards
DIN EN 60947-5-1

EU Conformity
acc. to directive 2014/35/EU (Low-Voltage-Directive)

General details
The measures of the switching points refer to a fluid-density of 1 g/cm <sup>3</sup> . The tolerance of the switching points is ±2 mm Pay attention to the contact protection, when switching inductive or capacitive loads. Maximum data must not be exceeded!

Inductive loads
<div style="display: flex; justify-content: space-around;"> <div style="text-align: center;"> <p>Direct current</p>  <p>Suppression of voltage peaks with a free-wheeling diode</p> </div> <div style="text-align: center;"> <p>Alternating voltage</p>  <p>Suppression of voltage peaks with a VDR</p> </div> <div style="text-align: center;">  <p>Suppression of voltage peaks with an RC element</p> </div> </div>

Capacitive loads and lamp loads
   <p>Contact protection with resistors for limiting current</p>