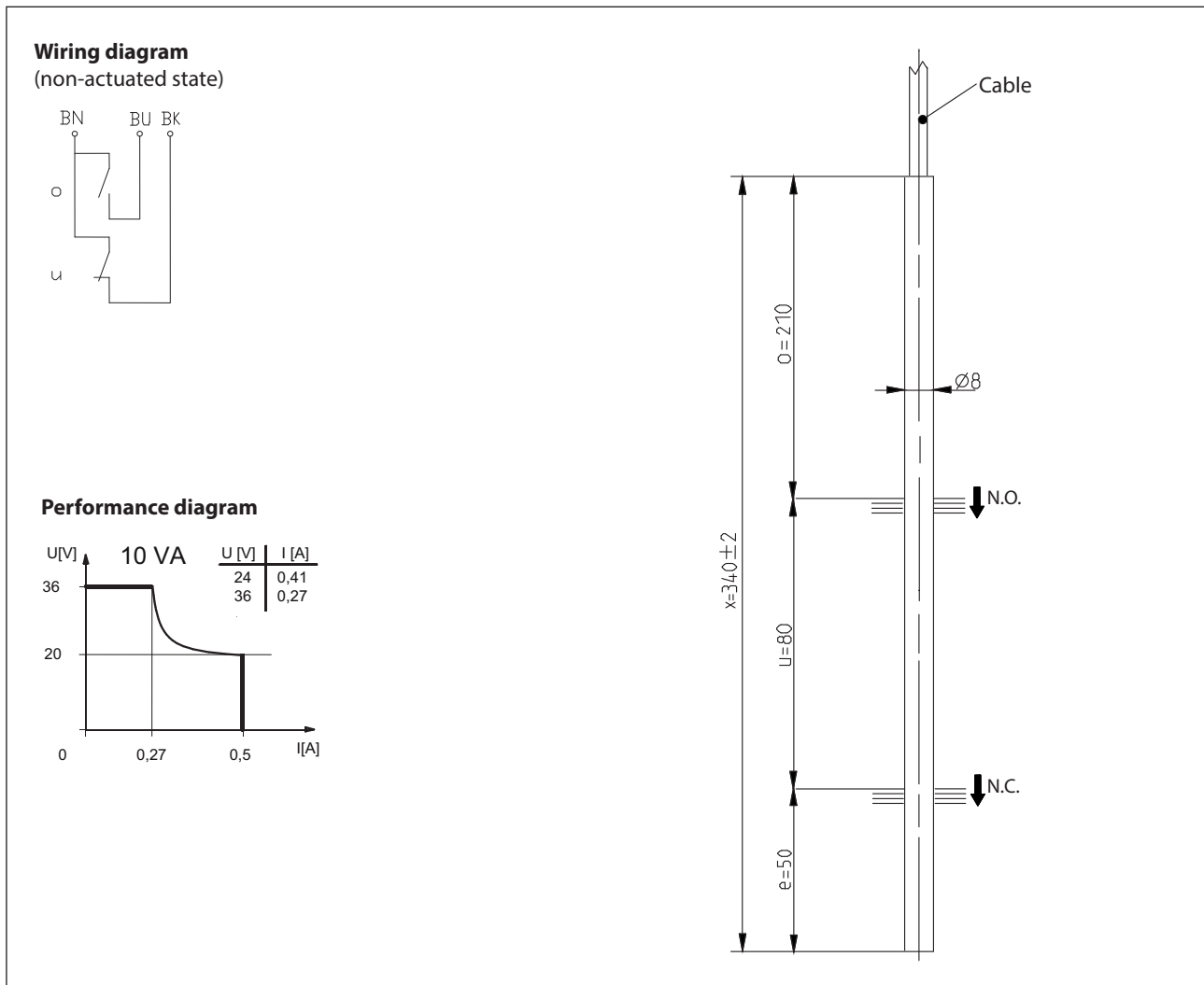


# Float switch

## Series Miniature-Float switch

Description **MS--NI-OV-SO 0340**

Article number **689510002**



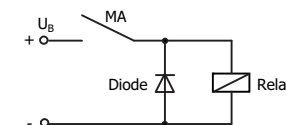
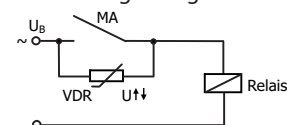
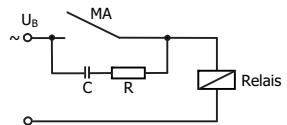
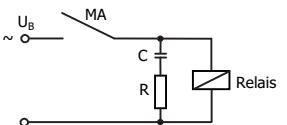
### Characteristic features in accordance with EN 60947-5-1

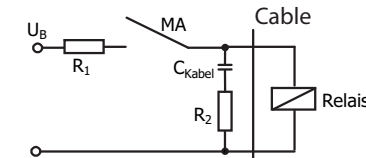
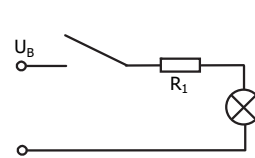
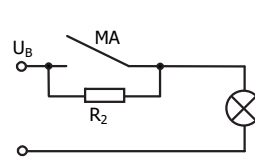
Electrical data	
max. switching voltage	150 V
max. switching current	0,5 A
max. switching capacity	10 VA
mechanical life	10 <sup>7</sup> to 10 <sup>9</sup> switches depending on the load
Switching element	1 N.O. falling level 1 N.C., falling level
Protection class	II (totally insulated)

Mechanical data	
Switching tube material	X6CrNiMoTi17-12-2 (1.4571)
Ambient air temperature	-5 °C to +60 °C
Liquid temperature	-5 °C to +60 °C
Connection	Cable 3 x 0,5 mm <sup>2</sup> x 4 m, PVC
Protection type	IP 65 acc to IEC529 / EN 60529
Max. pressure	10 bar

EU Conformity
acc. to directive 2006/95/EC

General details
<p>Repeatability of switching points is <math>\pm 0,05</math> mm based on the same geometrical conditions as of a switch device.                      The measures of the switching points refer to a fluid-density of 1 g/cm<sup>3</sup>.                      The tolerance of the switching points is <math>\pm 2</math> mm                      Pay attention to the contact protection, when switching inductive or capacitive loads. Maximum data must not be exceeded!                      The values relate to an BERNSTEIN-float No.: <b>494.2105.003</b></p>

Inductive loads
<div style="display: flex; justify-content: space-around;"> <div style="text-align: center;"> <p>Direct current</p>  <p>Suppression of voltage peaks with a free-wheeling diode</p> </div> <div style="text-align: center;"> <p>Alternating voltage</p>  <p>Suppression of voltage peaks with a VDR</p> </div> <div style="text-align: center;">  <p>Suppression of voltage peaks with an RC element</p> </div> <div style="text-align: center;">  </div> </div>

Capacitive loads and lamp loads
<div style="display: flex; justify-content: space-around;"> <div style="text-align: center;">  <p>Contact protection with resistors for limiting current</p> </div> <div style="text-align: center;">  </div> <div style="text-align: center;">  </div> </div>