

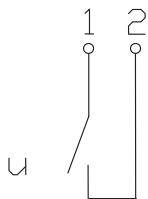
# Float switch

## Series Miniature-Float switch

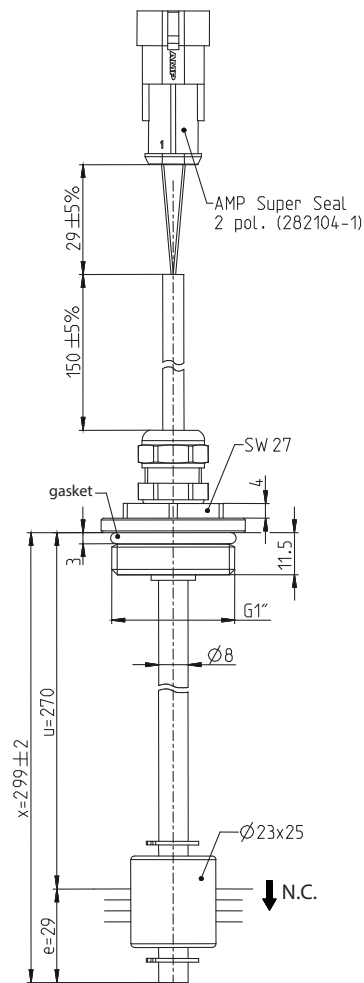
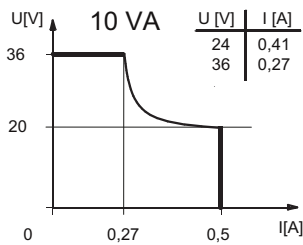
Description **MSK4-MS-R1,0ST-S 0299**

Article number **6893240005**

### Wiring diagram (non-actuated state)



### Performance diagram



Electrical data		
Rated voltage	$U_r$	36 V
max. switching current		0,5 A
max. switching capacity		10 VA
Rated insulation voltage	$U_i$	50 V AC
Bemessungsstoßspannungsfestigkeit	$U_{imp}$	500 V AC
Overvoltage category		II
mechanical life		$10^7$ to $10^9$ switches depending on the load
Switching element		1 N.C., falling level

Mechanical data	
Bolting material	CuZn39Pb3 (CW614N)
Switching tube material	CuZn37 (CW508L)
Float material	NBR
- density	about 0,6 g/cm <sup>3</sup> ±10 %
- depth of immersion	15 mm ± 2 mm ( to a fluid-density of 1 g/cm <sup>3</sup> )
Gasket material	NBR
Grip screw material	CuSn8 (CW453K)
Ambient air temperature	-20 °C to +100 °C
Liquid temperature	-20 °C to +100 °C
Connection	Cable 2 x 0,5 mm <sup>2</sup> (silicone-outer jacket) with AMP Super seal connector 2-pole (282104-1)
Protection type	IP 67 acc to IEC529 / EN 60529 (only in fully locked position with it's plugs)
Max. pressure	5 bar

Standards
DIN EN 50178

**General details**

Repeatability of switching points is ±0,05 mm based on the same geometrical conditions as of a switch device.  
 The measures of the switching points refer to a fluid-density of 1 g/cm<sup>3</sup>.  
 The tolerance of the switching points is ±2 mm  
 Only use in circuits with protective separation and in range with potential equalization.  
 Pay attention to the contact protection, when switching inductive or capacitive loads. Maximum data must not be exceeded!

