



Type: **MKS-PA-FL36-OS**

Art-No.: **689.1700.009**

Date: **25.05.1999/2072**

Technical Data (maximum data) :

Max. Voltage : 250 V
 Max. Switch current : 0.5 A
 Max. Switching : 10 VA
 Direction category : AC-21A and DC-21A
 acc. to DIN VDE 0660 T107,
 IEC 947-3-1, EN 60947-3-1

Pay attention to the contact protection, when switching inductive loads. Maximum data must not be exceeded !

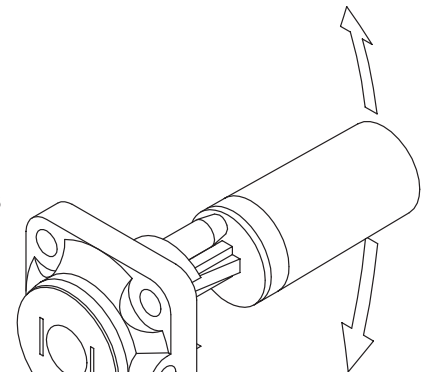
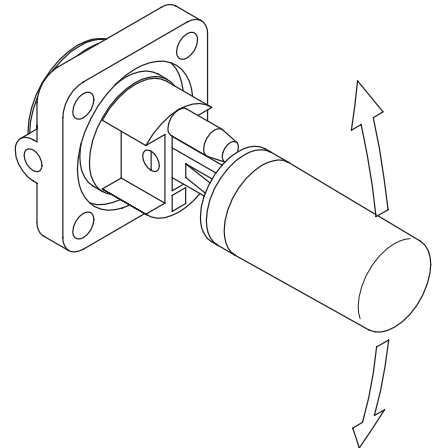
Protection type : IP 65 acc. to DIN VDE 0470 T1, IEC 529, EN 60529

Switching function : 1 normally-open contact, falling or rising level
The switching function can be changed from N.O. to N.C. by turning the switch up to 180°.

Temperature range : from -5°C to +60°C

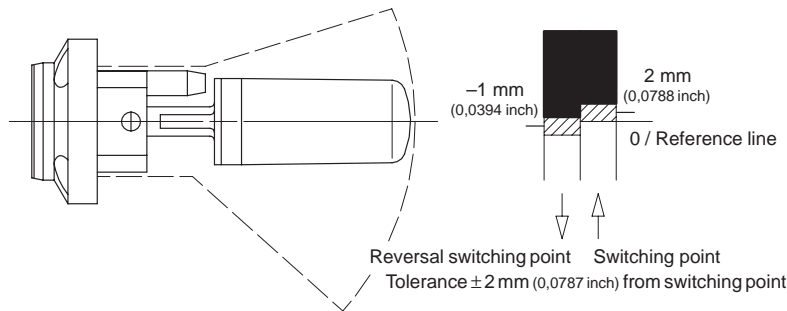
mech. Lifetime : 10⁷ to 10⁹ switches depending on the load

Reproducibility is ±0.05mm under same geometrical conditions according to one switch device.



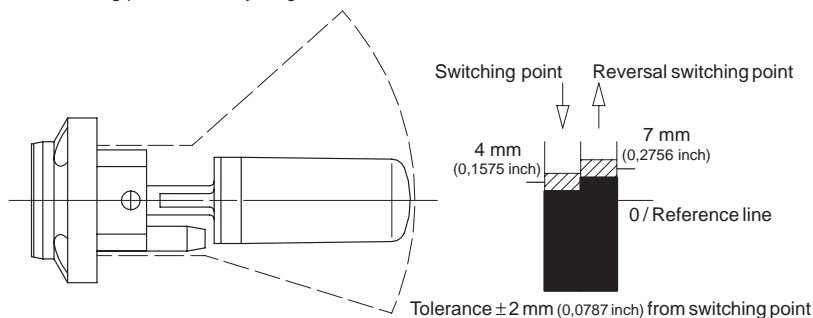
Normally-open contact, falling level

Switching point at density 1 kg/dm³



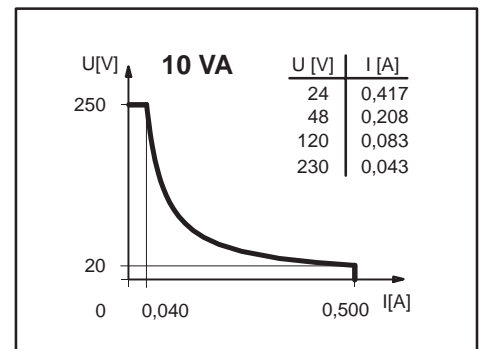
Normally-open contact, rising level

Switching point at density 1 kg/dm³



Contact open
 Contact close

Performance diagram (maximum data)



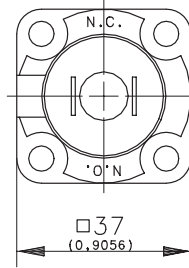
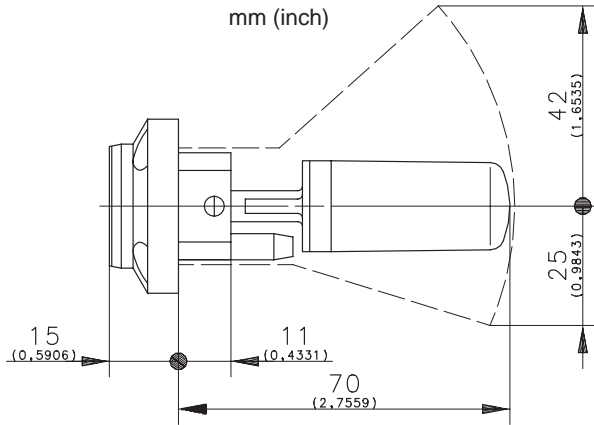


Type: **MSKS-PA-FL36-OS**

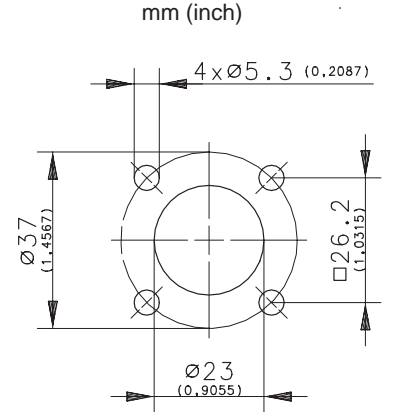
Art.-No.: **689.1700.009**

Date: **25.05.1999/2072**

Dimensions



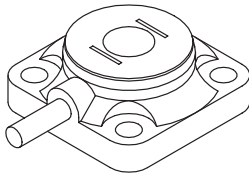
Assembly dimensions



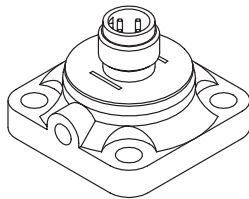
Mechanical Data :

- Housing material : PA12
- Float material : PA 12
- Standard : acc. to DIN VDE 0660 T200, IEC 947-5-1, EN 60947-5-1

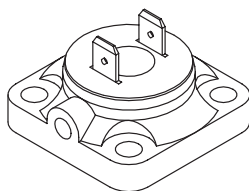
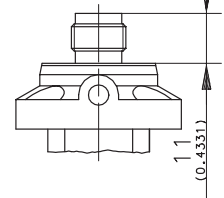
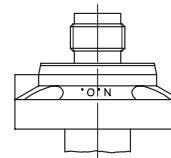
Termination type:



- Cable, PVC, 2x0,34mm²
- Art.-No.: 689.1700.002 – 3 meter
- Art.-No.: 689.1700.008 – 5 meter



- M12x1-Round connector 4pol. AC (Pole occupation 1+2)
- Art.-No.: 689.1700.006



- Contact plates (matching to AMP-Connectors)
- Art.-No.: 689.1700.009

