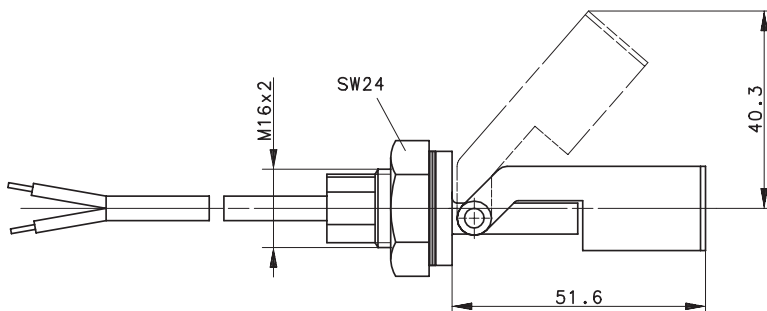
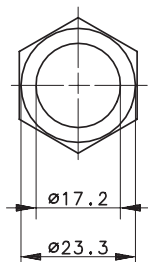
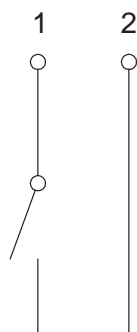


Type: **MSKS-PP-M16-OS**Art-No.: **689.1700.004**Date: **25.11.1999/0261****Wiring diagramme****Technical Data** (maximum data) :

max. voltage	: 250 V
max. switching current	: 1.0 A
max. switching capacity	: 12 VA
direction category	: AC-21A and DC-21A acc. to DIN VDE 0660 T107, ( IEC 947-3-1 / EN 60947-3-1 )

Pay attention to the contact protection, when switching inductive loads.  
Maximum data must not be exceeded !

protection type	: IP 65 acc. to DIN VDE 0470 T1, ( IEC 529 / EN 60529 )
switching function	: 1 N.O. contact, falling/rising level The switch function (n.o./n.c.) can be changed by turning the float.
temperature range	: from -5°C to +60°C
mech. lifetime	: 10 <sup>7</sup> to 10 <sup>9</sup> switches depending on the load

Reproducibility is ±0.05mm under same geometrical conditions according  
to one switch device.

**Mechanical Data :**

housing material	: PP
float material	: PP
mode of connection	: 2m cable, PVC, 2x0.5mm <sup>2</sup>
standard	: acc. to DIN VDE 0660 T200, ( IEC 947-5-1 / EN 60947-5-1 )