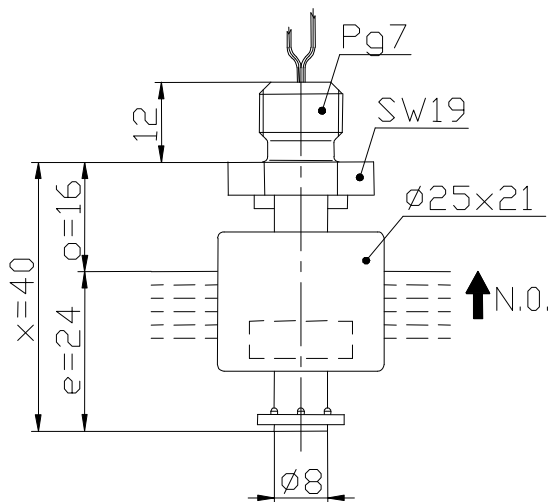
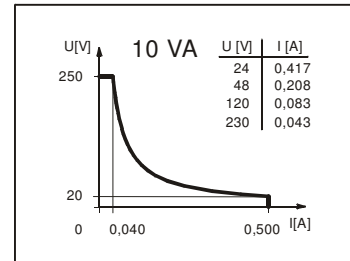


Mini-level float switches

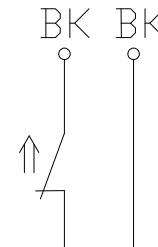
Description **MSK2-PVC-PG7-S 0040**

Article number **6891324003**

Performance diagram
(maximum data)



Wiring diagram
(matching to the drawing)



Electrical data

Reed contact	max. switching voltage	250 V
	max. switching current	0,5 A
	max. switching capacity	10 VA
	mechanical life	10 ⁷ to 10 ⁹ switches depending on the load
Switching element	1 normally open contact, rising level	
Direction category	AC-22A and DC-22A acc to DIN VDE 0660 T107	
Standard	acc to DIN VDE 0660 T200	

Mechanical data

Housing material	PVC
Float material	PVC
-density	about 0,75 g/cm ³ ±10%
-depth of immersion	15 mm ±2 mm (to a fluid-density of 1 g/cm ³)
Grip screw material	PVC
Ambient air temperature	-5 °C to +60 °C
Liquid temperature	-5 °C to +60 °C
Connection	PVC-connectors, 0,56mm ² , 13mm and 24mm protrude
Protection type	IP 65 acc to DIN VDE 0470 T1
Max. pressure	5 bar

General details

Repeatability of switching points is ±0,05mm based on the same geometrical conditions as of a switch device.
 The measures of the switching points refer to a fluid-density of 1 g/cm³.
 The tolerance of the switching points is ±2mm
 Pay attention to the contact protection, when switching inductive loads. Maximum data must not be exceeded!

Subject to change without notice.

Date of issue : 01.08.2006 / Page 1 of 1
 Document : 6891324003_en.doc / Last update : 2