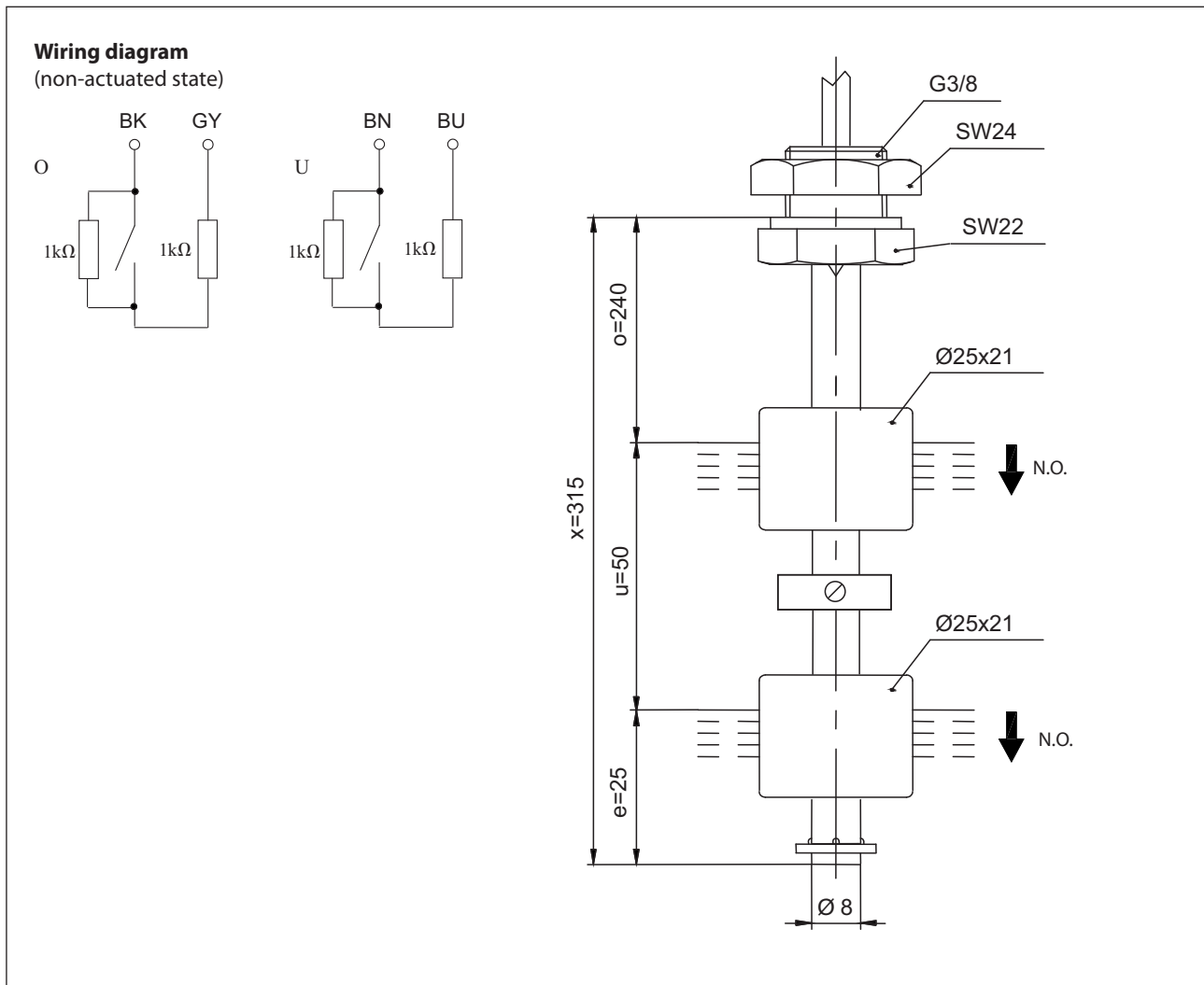


Float switch

Series Miniature-Float switch

Description **MSK2-PVC-R3/8-2S 0315**

Article number **6891323063**



Electrical data

max. switching voltage	250 V
max. switching current	10 mA
Switching element	2 N.O., rising level
Protection class	II (totally insulated)

Mechanical data	
Hexagonal nut material	PVC
Bolting material	PVC
Switching tube material	PVC
Float material	PVC
- density	about 0,7 g/cm ³ ±10 %
- depth of immersion	17 mm ± 2 mm (to a fluid-density of 1 g/cm ³)
Grip screw material	PVC
Adjusting ring material	PVC
Ambient air temperature	-5 °C to +60 °C
Liquid temperature	-5 °C to +60 °C
Connection	Cable 4 x 0,25 mm ² x 2 m ± 5 %; PVC-Outer jacket
Protection type	IP 65 acc to IEC529 / EN 60529
Max. pressure	5 bar

Standards
DIN EN 60947-5-1

EU Conformity
acc. to directive 2014/35/EU (Low-Voltage-Directive)

General details
The measures of the switching points refer to a fluid-density of 1 g/cm ³ . The tolerance of the switching points is ±2 mm Pay attention to the contact protection, when switching inductive or capacitive loads. Maximum data must not be exceeded!

Inductive loads
<div style="display: flex; justify-content: space-between;"> <div style="width: 24%;"> <p>Direct current</p> <p>Suppression of voltage peaks with a free-wheeling diode</p> </div> <div style="width: 24%;"> <p>Alternating voltage</p> <p>Suppression of voltage peaks with a VDR</p> </div> <div style="width: 24%;"> <p>Suppression of voltage peaks with an RC element</p> </div> <div style="width: 24%;"> </div> </div>

Capacitive loads and lamp loads
Contact protection with resistors for limiting current