

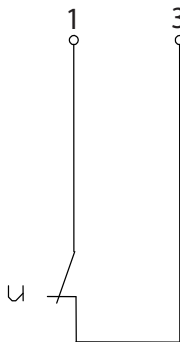
Float switch

Series Miniature-Float switch

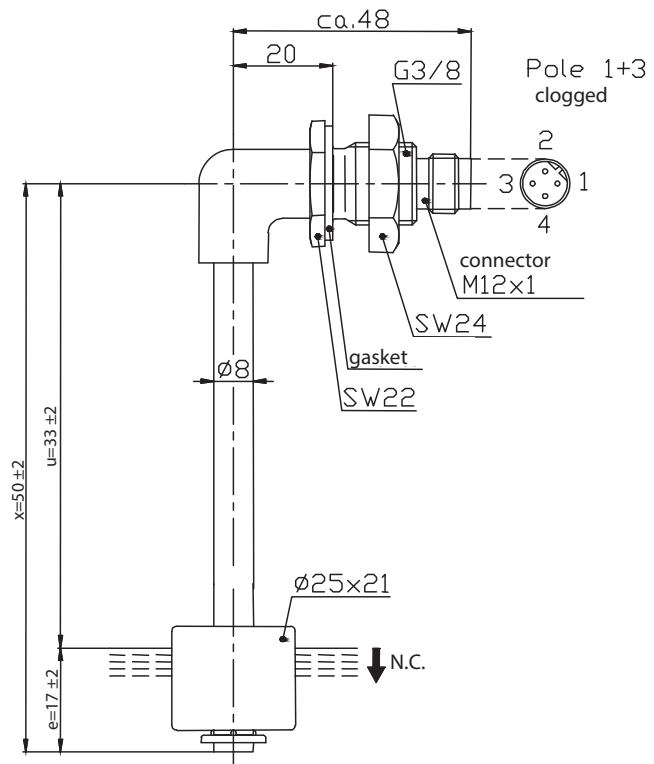
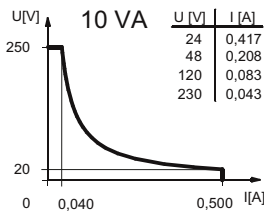
Description **MSK1-PVC-WR3/8ST-S 0050**

Article number **6891313032**

Wiring diagram (non-actuated state)



Performance diagram



Electrical data

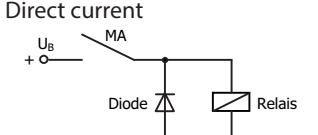
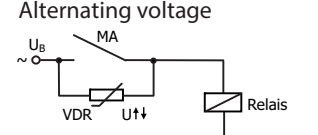
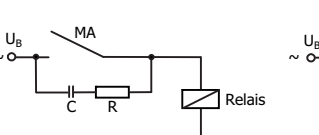
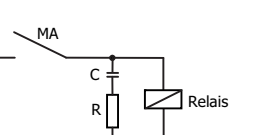
Rated voltage	U_r	250 V
max. switching current		0,5 A
max. switching capacity		10 VA
Rated insulation voltage	U_i	300 V AC
Rated impulse withstand voltage	U_{imp}	4 kV AC
Overvoltage category		II
mechanical life		10^7 to 10^9 switches
Switching element		1 N.C., falling level
Protection class		II (totally insulated)

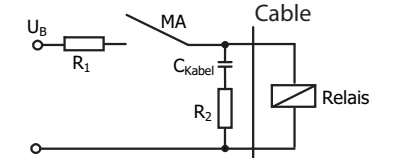
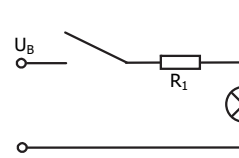
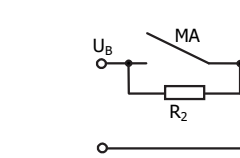
Mechanical data	
Terminal box material	PVC
Switching tube material	PVC
Float material	PP
- density	about 0,55 g/cm ³ ±10 %
- depth of immersion	12 mm ± 2 mm (to a fluid-density of 1 g/cm ³)
Grip screw material	PVC
Adjusting ring material	PVC
Gasket material	NBR
Ambient air temperature	-5 °C to +60 °C
Liquid temperature	-5 °C to +60 °C
Connection	Connector M12 x 1, 4-pole (Pole 1 and 3 clogged)
Protection type	IP 65 acc to IEC529 / EN 60529 (only in fully locked position with it's plugs)
Max. pressure	5 bar

Standards
DIN EN 60947-5-1

EU Conformity
acc. to directive 2014/35/EU

General details
The measures of the switching points refer to a fluid-density of 1 g/cm ³ . The tolerance of the switching points is ±2 mm Pay attention to the contact protection, when switching inductive or capacitive loads. Maximum data must not be exceeded!

Inductive loads
<div style="display: flex; justify-content: space-between;"> <div style="width: 24%;"> <p>Direct current</p>  <p>Suppression of voltage peaks with a free-wheeling diode</p> </div> <div style="width: 24%;"> <p>Alternating voltage</p>  <p>Suppression of voltage peaks with a VDR</p> </div> <div style="width: 24%;">  <p>Suppression of voltage peaks with an RC element</p> </div> <div style="width: 24%;">  </div> </div>

Capacitive loads and lamp loads
   <p>Contact protection with resistors for limiting current</p>