

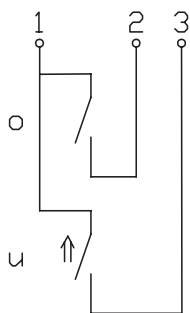
Float switch

Series Miniature-Float switch

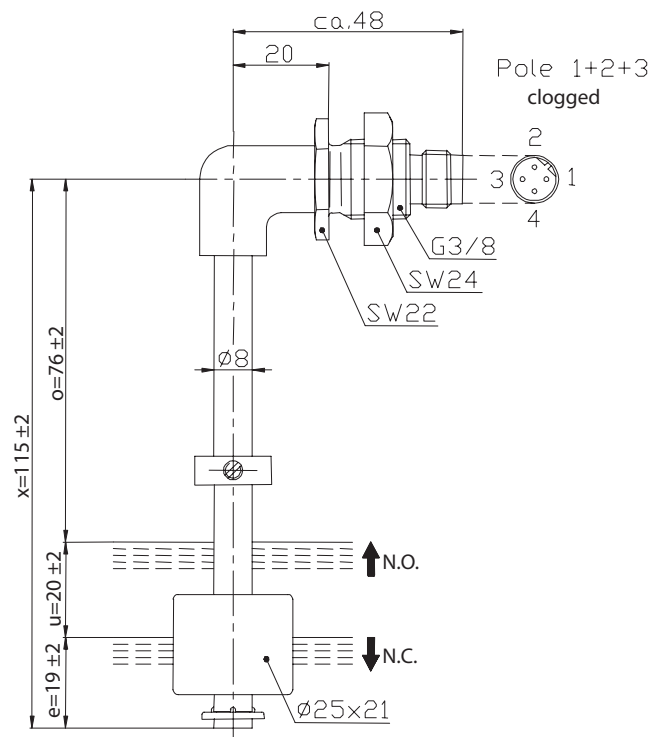
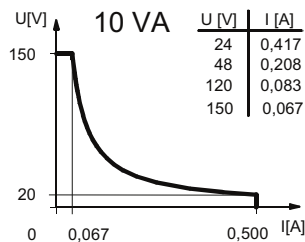
Description **MSK1-PVC-WR3/8-SO 0115**

Article number **6891313031**

Wiring diagram (non-actuated state)



Performance diagram



Electrical data

Rated voltage	U_r	150 V
max. switching current		0,5 A
max. switching capacity		10 VA
Rated insulation voltage	U_i	300 V AC
Rated impulse withstand voltage	U_{imp}	4 kV AC
Overvoltage category		II
Switching element		1x N.C., falling level 1x N.O., rising level
Protection class		II (totally insulated)

Mechanical data	
Terminal box material	PVC
Hexagon nut material	PVC
Switching tube material	PVC
Float material	PP
- density	about 0,55 g/cm ³ ±10 %
- depth of immersion	12 mm ± 2 mm (to a fluid-density of 1 g/cm ³)
Grip screw material	PVC
Ambient air temperature	-5 °C to +60 °C
Liquid temperature	-5 °C to +60 °C
Connection	Connector M12 x 1, 4-pole (Pole 1,2 and 3 clogged)
Protection type	IP 65 acc to IEC529 / EN 60529 (only in fully locked position with it's plugs)
Max. pressure	5 bar

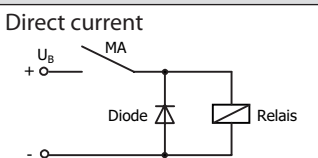
Standards
DIN EN 60947-5-1

EU Conformity
acc. to directive 2014/35/EU (Low-Voltage-Directive)

General details
The measures of the switching points refer to a fluid-density of 1 g/cm ³ . The tolerance of the switching points is ±2 mm Pay attention to the contact protection, when switching inductive or capacitive loads. Maximum data must not be exceeded!

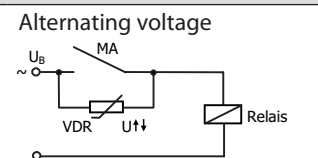
Inductive loads

Direct current

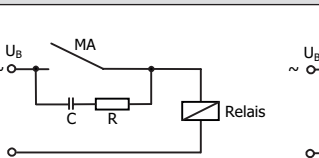


Suppression of voltage peaks with a free-wheeling diode

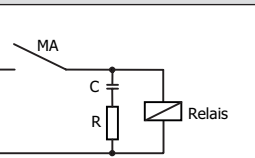
Alternating voltage



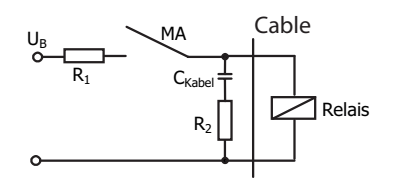
Suppression of voltage peaks with a VDR



Suppression of voltage peaks with an RC element



Capacitive loads and lamp loads



Contact protection with resistors for limiting current

