

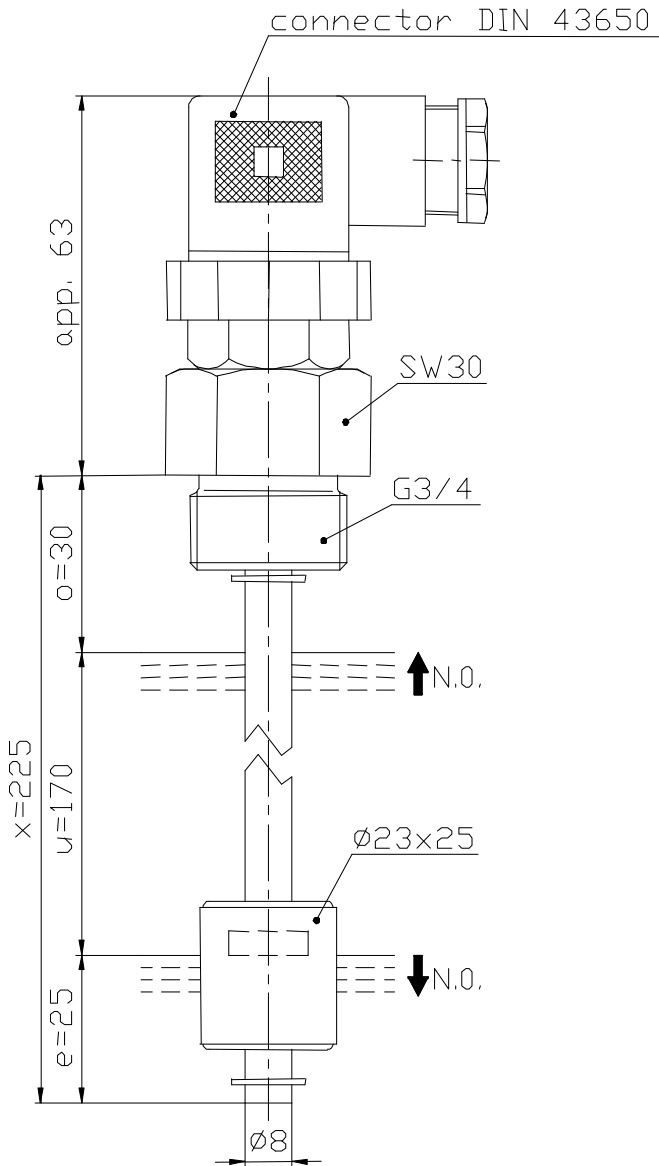
Technical Data

Float Switch

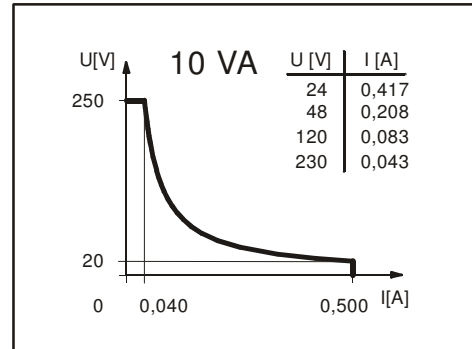
Mini-level float switches

Description **MSK4-MS-R3/4-2S 0225**

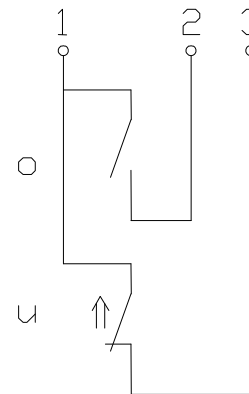
Article number **6891240005**



Performance diagram (maximum data)



Wiring diagram (matching to the drawing)



Subject to change without notice.

Date of issue : 02.11.2006 / Page 1 of 2
Document : 6891240005_en.doc / Last update : 1

Mini-level float switches

Description **MSK4-MS-R3/4-2S 0225**

Article number **6891240005**

Electrical data

Reed contact	max. switching voltage	250 V
	max. switching current	0,5 A
	max. switching capacity	10 VA
	mechanical life	10 ⁷ to 10 ⁹ switches depending on the load
Switching element		1 normally-open contact, rising level 1 normally-open contact, falling level
Direction category		AC-22A and DC-22A acc to DIN VDE 0660 T107
Standard		acc to DIN VDE 0660 T200

Mechanical data

Screw connection material	CuZn39Pb3 (2.0401)
Switching tube material	CuZn37 (2.0321)
Float material	NBR
-density	about 0,6 g/cm ³ ±10%
-depth of immersion	16 mm ±2 mm (to a fluid-density of 1 g/cm ³)
Grip screw material	CuSn8 (2.1030)
Gasket material	silicone
Ambient air temperature	-5°C to +60°C
Liquid temperature	-5°C to +60°C
Connection	plug-in connection acc. to DIN 43650
Protection type	IP 65 acc to DIN VDE 0470 T1 only with female socket
Max. pressure	15 bar

General details

Repeatability of switching points is ±0,05mm based on the same geometrical conditions as of a switch device.

The measures of the switching points refer to a fluid-density of 1 g/cm³.

The tolerance of the switching points is ±2mm

Pay attention to the contact protection, when switching inductive loads. Maximum data must not be exceeded!