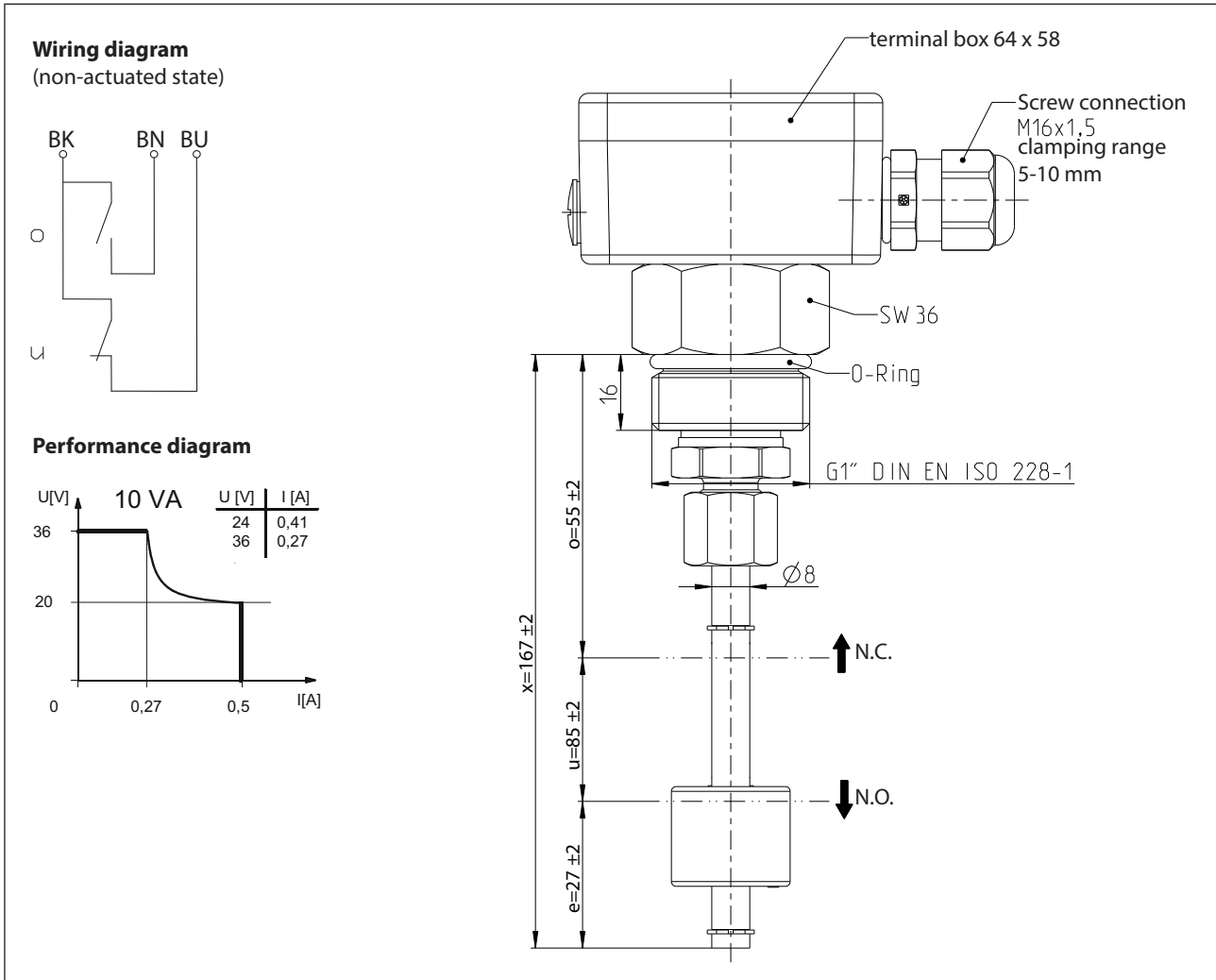


Float switch

Series Miniature-Float switch

Description **MSK7-NI-R1,0-OS 0167**

Article number **6891198002**



Characteristic features in accordance with EN 60947-5-1

Electrical data		
Operational voltage range	U_B	10-36 V
max. switching current		0,5 A
max. switching capacity		10 VA
mechanical life		10^7 to 10^9 switches depending on the load
Switching element		1 x N.C., falling level 1 x N.O., rising level
Protection class		III (extra- low voltage)

Mechanical data	
Terminal box material	Aluminium coated RAL 7001
Screw connection material	X6CrNiMoTi17-12-2 (1.4571)
Screw connection material R1"	CuZn39Pb3 (nickel-plated CuNi8 acc. to DIN 50968)
Switching tube material	X6CrNiMoTi17-12-2 (1.4571)
Float material	PVDF
- density	about 0,79 g/cm ³ ±10 %
- depth of immersion	17 mm ± 2 mm (to a fluid-density of 1 g/cm ³)
Grip screw material	X39CrMo17 (1.4122)
Gasket material	NBR and Klingersil C-4400
Ambient air temperature	-5 °C to +80 °C
Liquid temperature	-5 °C to +80 °C
Connection	Connecting block inside the terminal box
Protection type	IP 65 acc to IEC529 / EN 60529
Max. pressure	5 bar

General details

Repeatability of switching points is $\pm 0,05$ mm based on the same geometrical conditions as of a switch device.
 The measures of the switching points refer to a fluid-density of 1 g/cm³.
 The tolerance of the switching points is ± 2 mm
 Pay attention to the contact protection, when switching inductive or capacitive loads. Maximum data must not be exceeded!
 Operate only at safe voltage sources!

