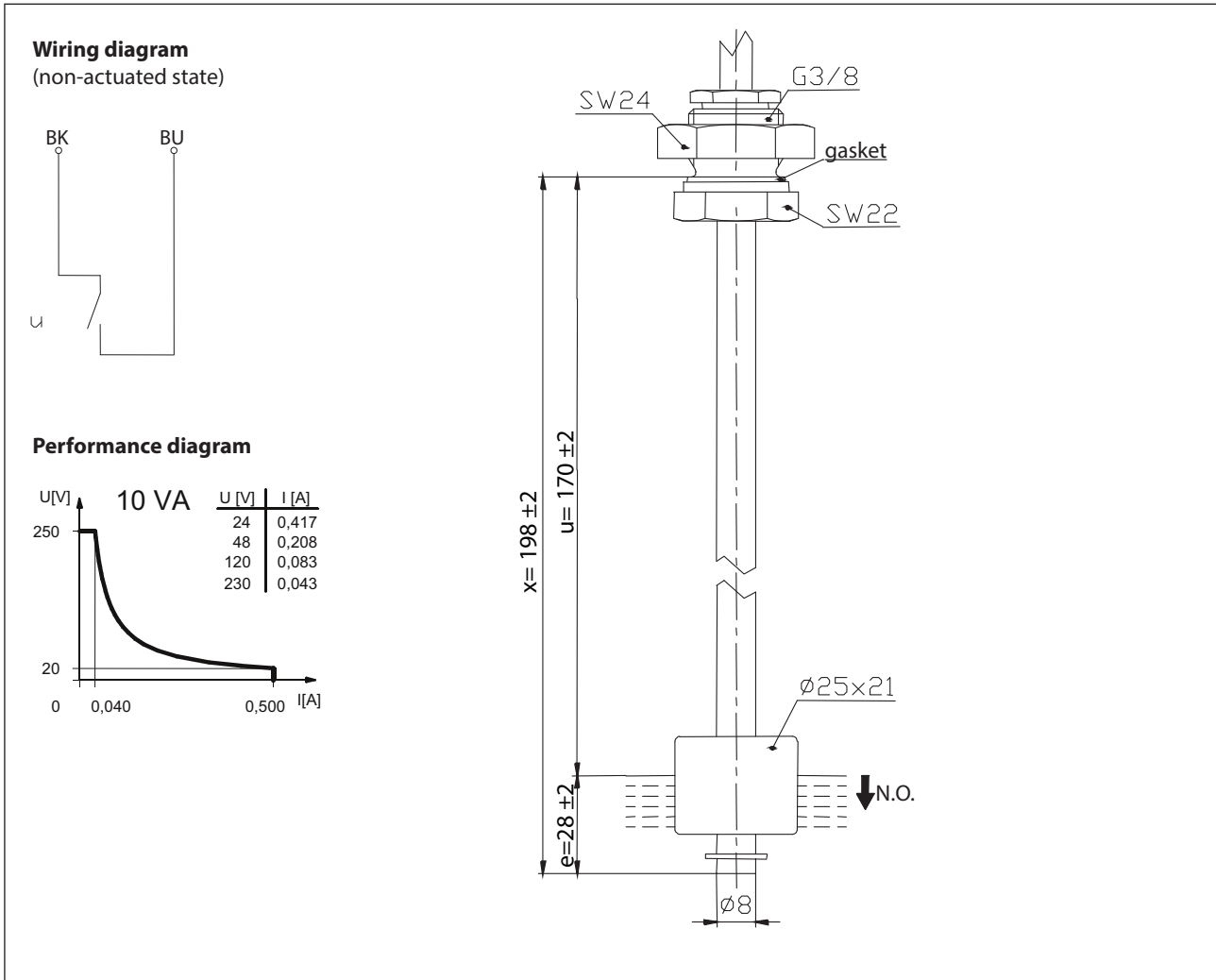


# Float switch

## Series Miniature-Float switch

Description **MSK7-NI-R3/8S 0198**

Article number **6891193001**



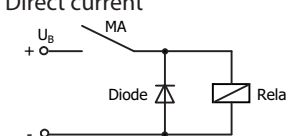
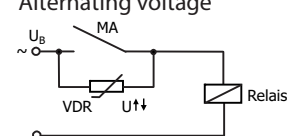
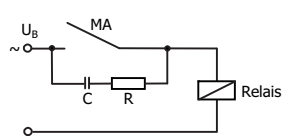
### Characteristic features in accordance with EN 60947-5-1

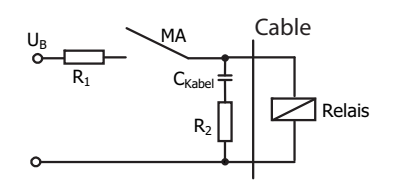
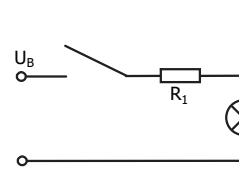
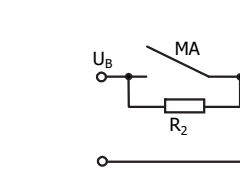
Electrical data	
max. switching voltage	250 V
max. switching current	0,5 A
max. switching capacity	10 VA
mechanical life	10 <sup>7</sup> to 10 <sup>9</sup> switches depending on the load
Switching element	1 x N.O., falling level
Protection class	II (totally insulated)

Mechanical data	
Screw connection material	X6CrNiMoTi17-12-2 (1.4571)
Hexagonal nut material	X8CrNiS18-9 (1.4305)
Switching tube material	X6CrNiMoTi17-12-2 (1.4571)
Float material	PVDF
- density	about 0,8 g/cm <sup>3</sup> ±10 %
- depth of immersion	17 mm ± 2 mm ( to a fluid-density of 1 g/cm <sup>3</sup> )
Grip screw material	X39CrMo17 (1.4122)
Gasket material	NBR
Ambient air temperature	-5 °C to +100 °C
Liquid temperature	-5 °C to +100 °C
Connection	Cable 2 x 0,5 mm <sup>2</sup> x 5 m ± 5 %, Silicone
Protection type	IP 65 acc to IEC529 / EN 60529
Max. pressure	5 bar

EU Conformity
acc. to directive 2006/95/EC

General details
<p>Repeatability of switching points is ±0,05 mm based on the same geometrical conditions as of a switch device.                      The measures of the switching points refer to a fluid-density of 1 g/cm<sup>3</sup>.                      The tolerance of the switching points is ±2 mm                      Pay attention to the contact protection, when switching inductive or capacitive loads. Maximum data must not be exceeded!                      Operate only at safe voltage sources!</p>

Inductive loads
<div style="display: flex; justify-content: space-around;"> <div style="text-align: center;"> <p>Direct current</p>  <p>Suppression of voltage peaks with a free-wheeling diode</p> </div> <div style="text-align: center;"> <p>Alternating voltage</p>  <p>Suppression of voltage peaks with a VDR</p> </div> <div style="text-align: center;">  <p>Suppression of voltage peaks with an RC element</p> </div> </div>

Capacitive loads and lamp loads
<div style="display: flex; justify-content: space-around;"> <div style="text-align: center;">  <p>Contact protection with resistors for limiting current</p> </div> <div style="text-align: center;">  </div> <div style="text-align: center;">  </div> </div>