

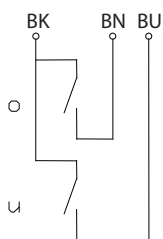
Float switch

Series Miniature-Float switch

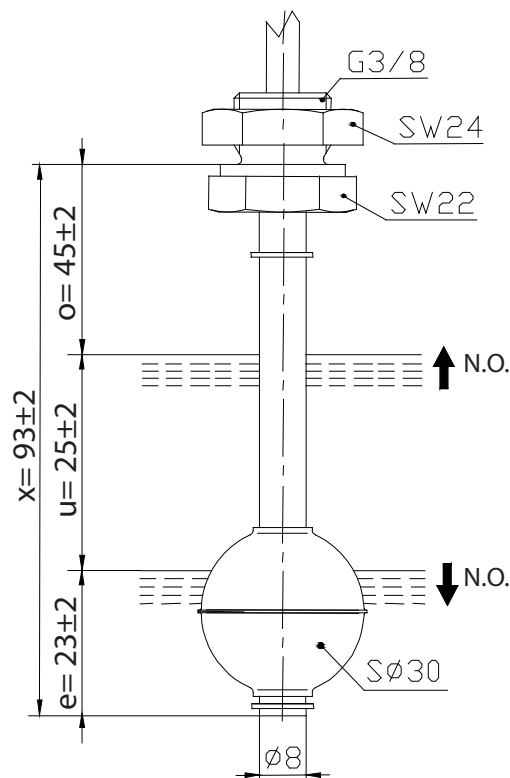
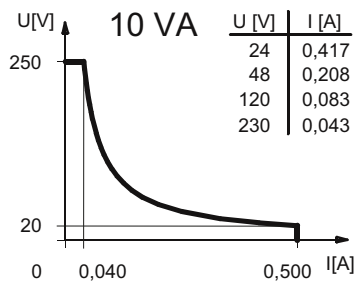
Description **MSN1-NI-R3/8-2S 0093**

Article number **6891173038**

Wiring diagram (non-actuated state)



Performance diagram



Electrical data

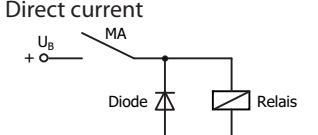
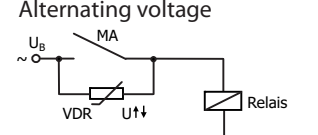
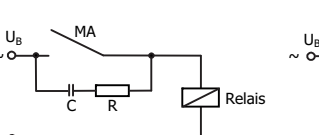
Rated voltage	U_r	250 V
max. switching current		0,5 A
max. switching capacity		10 VA
Rated insulation voltage	U_i	300 V AC
Bemessungsstoßspannungsfestigkeit	U_{imp}	4 kV AC
Overvoltage category		II
Switching element		1 N.O., rising level 1 N.O., falling level
Protection class		II (totally insulated)

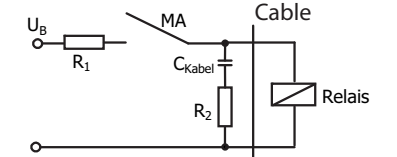
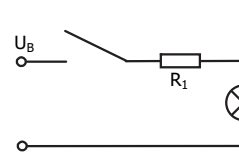
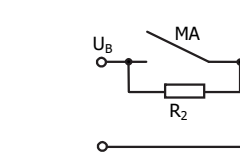
Mechanical data	
Bolting material G3/8	X6CrNiMoTi 17-12-2 (1.4571)
Hexagon nut material	X8CrNiS18-9 (1.4305)
Switching tube material	X6CrNiMoTi 17-12-2 (1.4571)
Float material	X6CrNiMoTi17-12-2 (1.4571)
- density	about 0,65 g/cm ³ ±10 %
- depth of immersion	18 mm ± 2 mm (to a fluid-density of 1 g/cm ³)
Gasket material	NBR
Grip screw material	X39CrMo17 (1.4122)
Ambient air temperature	-5 °C to +60 °C
Liquid temperature	-5 °C to +60 °C
Connection	Cable 3 x 0,34 mm ² x 1 m ± 5 %; PVC
Protection type	IP 65 acc. to IEC529 / EN 60529
Max. pressure	5 bar

Standards
DIN EN 60947-5-1

EU Conformity
acc. to directive 2014/35/EU (Low-Voltage-Directive)

General details
The measures of the switching points refer to a fluid-density of 1 g/cm ³ . The tolerance of the switching points is ±2 mm Maximum data must not be exceeded! Pay attention to the contact protection, when switching inductive or capacitive loads.

Inductive loads
<div style="display: flex; justify-content: space-around;"> <div style="text-align: center;"> <p>Direct current</p>  <p>Suppression of voltage peaks with a free-wheeling diode</p> </div> <div style="text-align: center;"> <p>Alternating voltage</p>  <p>Suppression of voltage peaks with a VDR</p> </div> <div style="text-align: center;">  <p>Suppression of voltage peaks with an RC element</p> </div> </div>

Capacitive loads and lamp loads
   <p>Contact protection with resistors for limiting current</p>