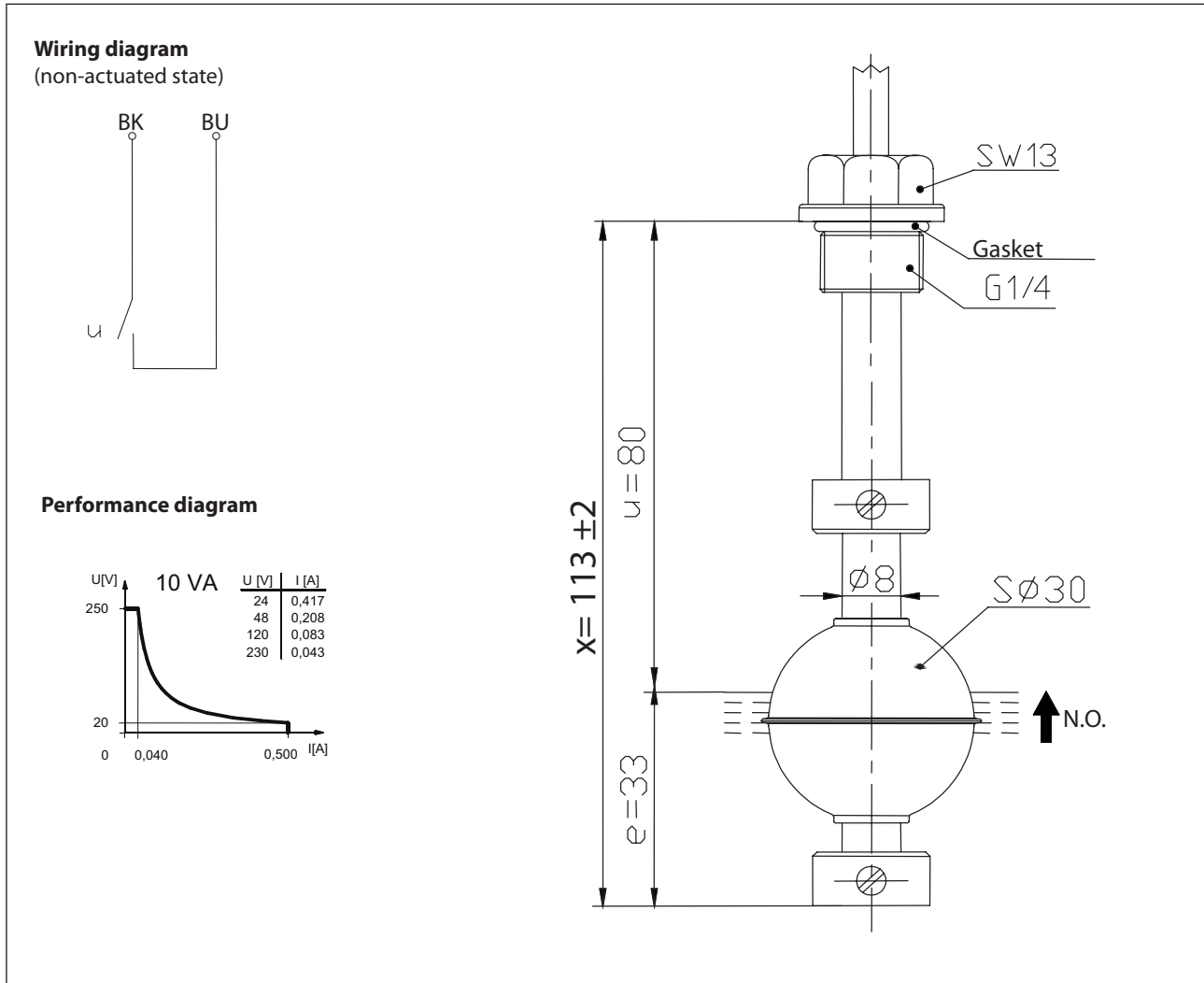


## Float switch

### Series Miniature-Float switch

Description **MSN1-NI-R1/4-S 0113**

Article number **6891172006**



Electrical data		
Rated voltage	$U_r$	250 V
max. switching current		0,5 A
max. switching capacity		10 VA
Rated insulation voltage	$U_i$	300 V AC
Rated impulse withstand voltage	$U_{imp}$	4 kV AC
Overvoltage category		II
Switching element		1 N.O., rising level
Protection class		II (totally insulated)

Mechanical data	
Bolting material	X6CrNiMoTi17-12-2 (1.4571)
Switching tube material	X6CrNiMoTi17-12-2 (1.4571)
Float material	X6CrNiMoTi17-12-2 (1.4571)
- density	about 0,7 g/cm <sup>3</sup> ±10 %
- depth of immersion	18 mm ± 2 mm ( to a fluid-density of 1 g/cm <sup>3</sup> )
Adjusting ring material	X6CrNiMoTi17-12-2 (1.4571)
Gasket material	VMQ70
Ambient air temperature	-10 °C to +160 °C
Liquid temperature	-10 °C to +160 °C
Connection	Cable 2 x 0,5 mm <sup>2</sup> x 5 m ± 5 %, silicone
Protection type	IP 65 acc to IEC529 / EN 60529
Max. pressure	10 bar

Standards
DIN EN 60947-5-1

EU Conformity
acc. to directive 2014/35/EU (Low-Voltage-Directive)

General details
<p>Repeatability of switching points is ±0,05 mm based on the same geometrical conditions as of a switch device.                      The measures of the switching points refer to a fluid-density of 1 g/cm<sup>3</sup>.                      The tolerance of the switching points is ±2 mm                      Pay attention to the contact protection, when switching inductive or capacitive loads. Maximum data must not be exceeded!</p>

Inductive loads
<div style="display: flex; justify-content: space-around;"> <div style="text-align: center;"> <p>Direct current</p> <p>Suppression of voltage peaks with a free-wheeling diode</p> </div> <div style="text-align: center;"> <p>Alternating voltage</p> <p>Suppression of voltage peaks with a VDR</p> </div> <div style="text-align: center;"> <p>Suppression of voltage peaks with an RC element</p> </div> </div>

Capacitive loads and lamp loads
<div style="display: flex; justify-content: space-around;"> <div style="text-align: center;"> <p>Contact protection with resistors for limiting current</p> </div> <div style="text-align: center;"> </div> <div style="text-align: center;"> </div> </div>