

Technical Data

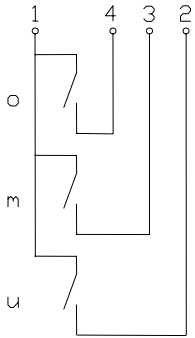
Float Switch

Mini-level float switches

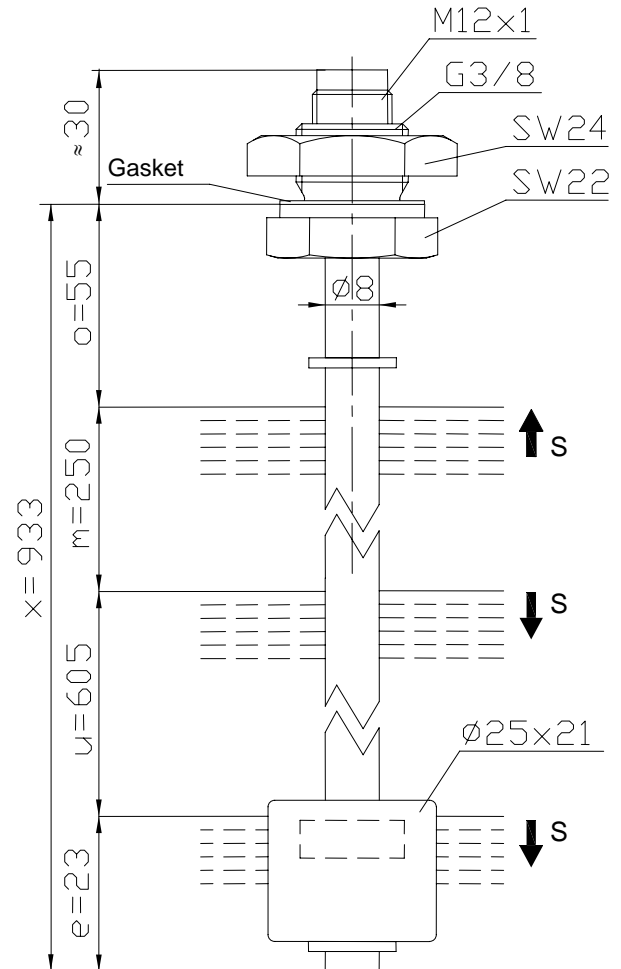
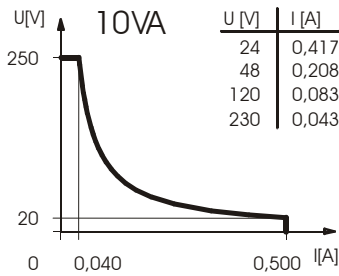
Description **MSK2-NI-R3/8ST-3S 0933**

Article number **6891123012**

Wiring diagram
(none activated condition)



Performance diagramm



Electrical data

Reed contact	max. switching voltage	250 V
	max. switching current	0,5 A
	max. switching capacity	10 VA
	mechanical life	10^7 to 10^9 switches depending on the load
Switching element		o= NO, rising level m, u= NO, falling level

This document will not become the contractual basis; the details included herein do not constitute any descriptions of expected conditions, so that warranties/claims for defects on account of possible variations of the actual qualities from the qualities described herein are explicitly excluded. All rights reserved. Specifications subject to change without notice!

Date of issue : 04.02.2010 / Page 1 of 2
Document : 6891123012_en.doc / Last update : 1 / 0033-10

Technical Data

Float Switch



Mechanical data

Hexagon nut material	X6CrNiMoTi17122 (1.4571)
Screw connection material	X6CrNiMoTi17122 (1.4571)
Switching tube material	X6CrNiMoTi17122 (1.4571)
Float material	PVC
-density	about 0,7 g/cm ³ ±10%
-depth of immersion	17 mm ±2 mm (to a fluid-density of 1 g/cm ³)
Adjusting ring material	X35CrMo17 (1.4122)
Gasket material	NBR
Ambient air temperature	-5°C to +60°C
Liquid temperature	-5°C to +60°C
Connection	Plug connection (M12x1, 4 pole, DC)
Protection type	IP 65 acc to DIN VDE 0470 T1 (only in fully locked position with it's plugs)
Max. pressure	10 bar

General details

- Repeatability of switching points is ±0,05mm based on the same geometrical conditions as of a switch device.
- The measures of the switching points refer to a fluid-density of 1 g/cm³.
- The tolerance of the switching points is ±2mm
- Pay attention to the contact protection, when switching inductive loads. Maximum data must not be exceeded!

This document will not become the contractual basis; the details included herein do not constitute any descriptions of expected conditions, so that warranties/claims for defects on account of possible variations of the actual qualities from the qualities described herein are explicitly excluded. All rights reserved. Specifications subject to change without notice!

Date of issue : 04.02.2010 / Page 2 of 2
Document : 6891123012_en.doc / Last update : 1 / 0033-10