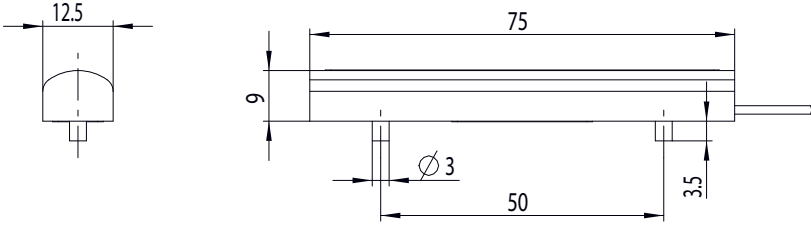


Mechanical data	
Bolting material	PVC
Switching tube material	PVC
Float material	PVC
- density	about 0,75 g/cm ³ ±10 %
- depth of immersion	29 mm ± 2 mm (to a fluid-density of 1 g/cm ³)
Gasket material	NBR
Adjusting ring material	PVC
Ambient air temperature	-5 °C to +60 °C
Liquid temperature	-5 °C to +60 °C
Connection	Connecting block inside the terminal box
Protection type	IP 65 acc to IEC529 / EN 60529
Max. pressure	5 bar

General details
<p>Maximum data must not be exceeded! At assembly the switching modules the requirements according to DIN VDE 100 are to be observed.</p>

Accessories (not included)	
	
Switching module • 4910007069 • 4916007075	N.C. / N.O. – position dependent Changeover switch
Number of possible switching modules	Depends on the fitting length x (see page 1), but max. 4 switching modules.