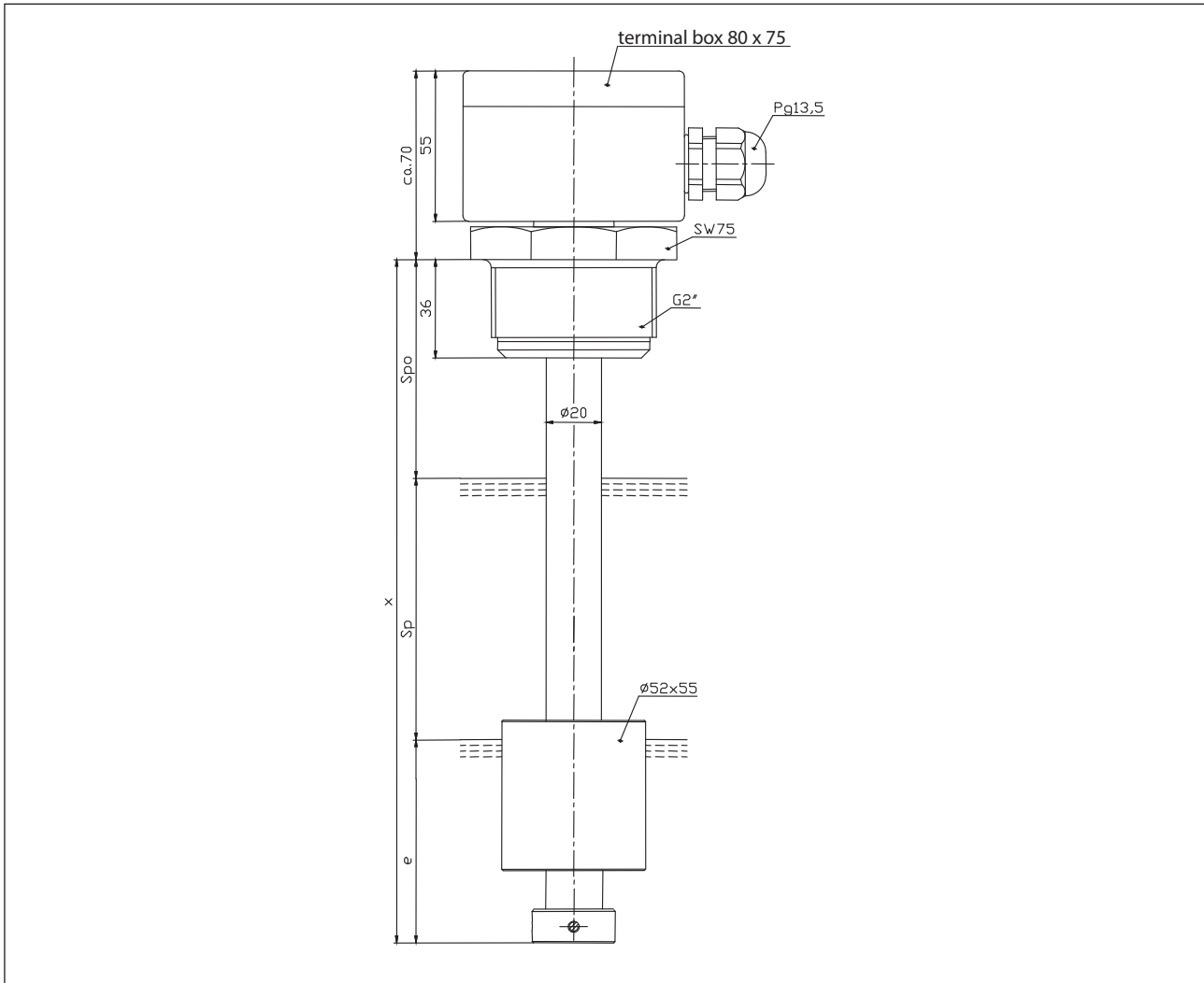


## Float switch

### Series Adjustable-Float switch

Description **MAD-VST-R2,0/0790**

Article number **6880321143**



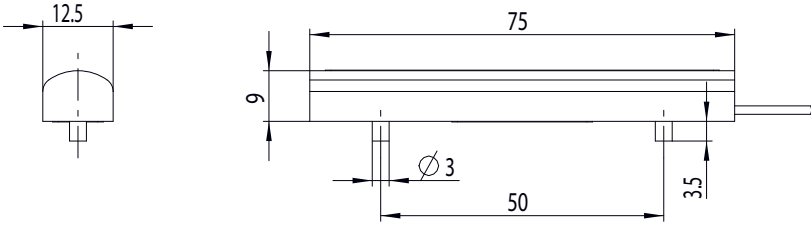
#### Dimensions

|                     |     |         |
|---------------------|-----|---------|
| Tube length         | x   | 790 mm  |
| Switching point     | Sp  | ≥ 80 mm |
| End length          | e   | ≥ 60 mm |
| Top switching point | Sp0 | ≥ 70 mm |

**The Switching points are adjustable in 10 mm increments.**

| Mechanical data         |  |
|-------------------------|--|
| Terminal box material   | Polyester  |
| Cable gland material    | PA 6   |
| Bolting material        | PVC  |
| Switching tube material | PVC  |
| Float material          | PVC  |
| - density               | about 0,75 g/cm <sup>3</sup> ±10 %                         |
| - depth of immersion    | 30 mm ± 2 mm ( to a fluid-density of 1 g/cm <sup>3</sup> ) |
| Gasket material         | NBR  |
| Adjusting ring material | PVC  |
| Ambient air temperature | -5 °C to +60 °C  |
| Liquid temperature      | -5 °C to +60 °C  |
| Connection              | Connecting block inside the terminal box                   |
| Protection type         | IP 65 acc to IEC529 / EN 60529                             |
| Max. pressure           | 10 bar   |

| General details   |
|---|
| Maximum data must not be exceeded!<br>At assembly the switching modules the requirements according to DIN VDE 100 are to be observed. |

| Accessories (not included)   |  |
|--|--|
|  |  |
| Switching module   | N.C. / N.O. – position dependent<br>Changeover switch                          |
| <ul style="list-style-type: none"> <li>• 4910007069</li> <li>• 4916007075</li> </ul> |  |
| Number of possible switching modules   | Depends on the fitting length x (see page 1),<br>but max. 4 switching modules. |