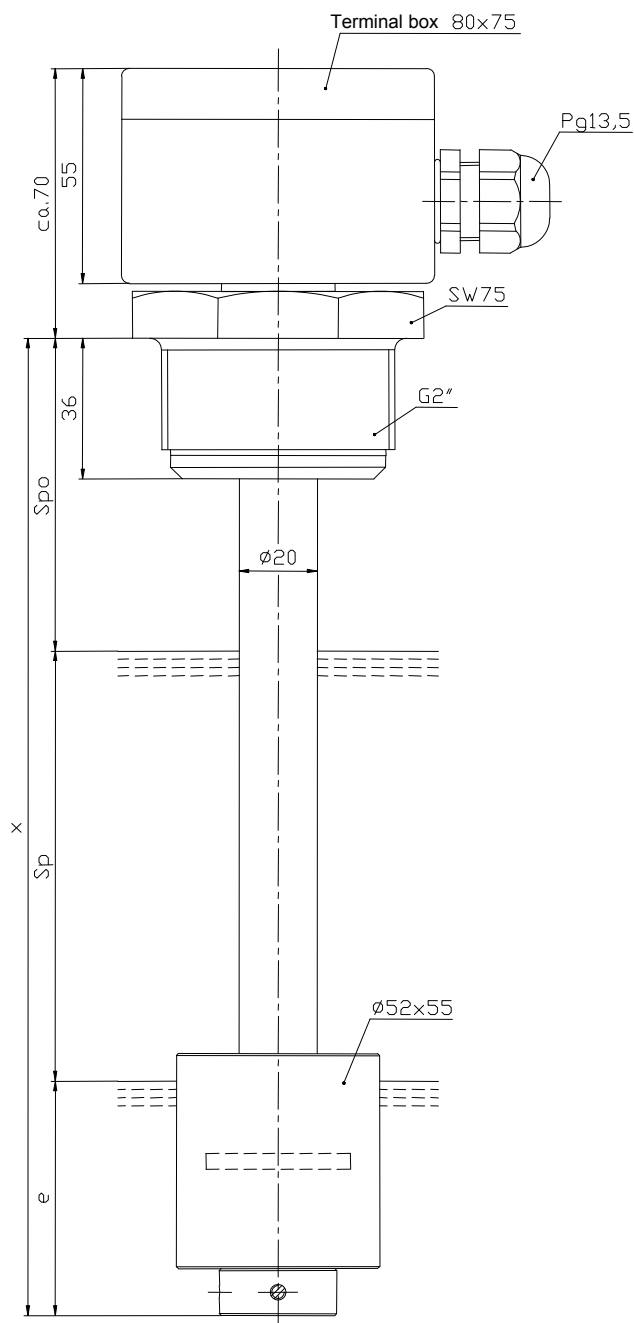


Adjustable float switch

Description **MAN-VST-R2,0/0300**

Article number **6880321140**



Dimensions

Tube length	x	300 mm
Switching point	Sp	≥ 80 mm
End length	e	≥ 60 mm
Top switching point	Sp0	≥ 70 mm

The Switching points are adjustable in 10 mm increments.

This document will not become the contractual basis; the details included herein do not constitute any descriptions of expected conditions, so that warranties/claims for defects on account of possible variations of the actual qualities from the qualities described herein are explicitly excluded. All rights reserved. Specifications subject to change without notice!

Date of issue : 09.11.2012 / Page 1 of 2
Document : 6880321140_en.doc / Last update : 1 / 6713-12

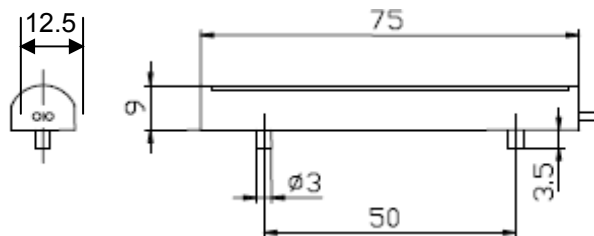
Mechanical data

Terminal box material	Polyester
Cable gland material	PA6
Switching tube material	PVC
Float material	PVC
-density	about 0,75 g/cm ³ ±10%
-depth of immersion	30 mm ±2 mm (to a fluid-density of 1 g/cm ³)
Adjusting ring material	PVC
Gasket material	NBR
Ambient air temperature	-5°C bis +60°C
Liquid temperature	-5°C bis +60°C
Connection	connecting block inside the terminal box
Protection type	IP 65 acc to IEC 529 / EN 60529
Max. pressure	10 bar

General details

Maximum data must not be exceeded!

Accessories (not included)



Switching module

4910007069	N.C. / N.O. – position dependent
4916007075	Changeover switch
Number of possible switching modules	Depends on the fitting length x (see page 1), but max. 4 switching modules

This document will not become the contractual basis; the details included herein do not constitute any descriptions of expected conditions, so that warranties/claims for defects on account of possible variations of the actual qualities from the qualities described herein are explicitly excluded. All rights reserved. Specifications subject to change without notice!