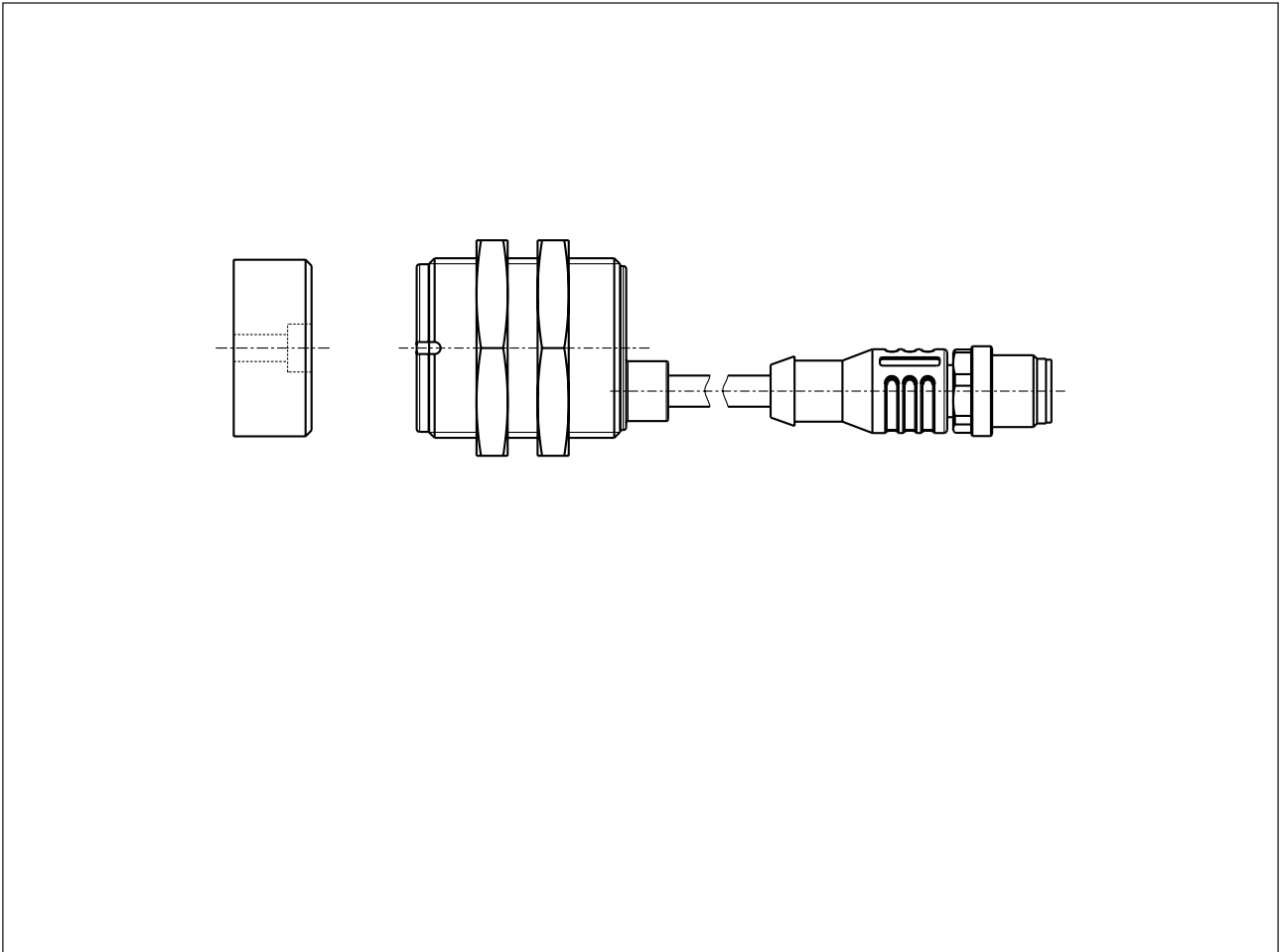


**Magnetic switch - Set**  
Series MA-53

Type designation **MAGNETSCHALTERSET MA-53**

Article number **6632300041**

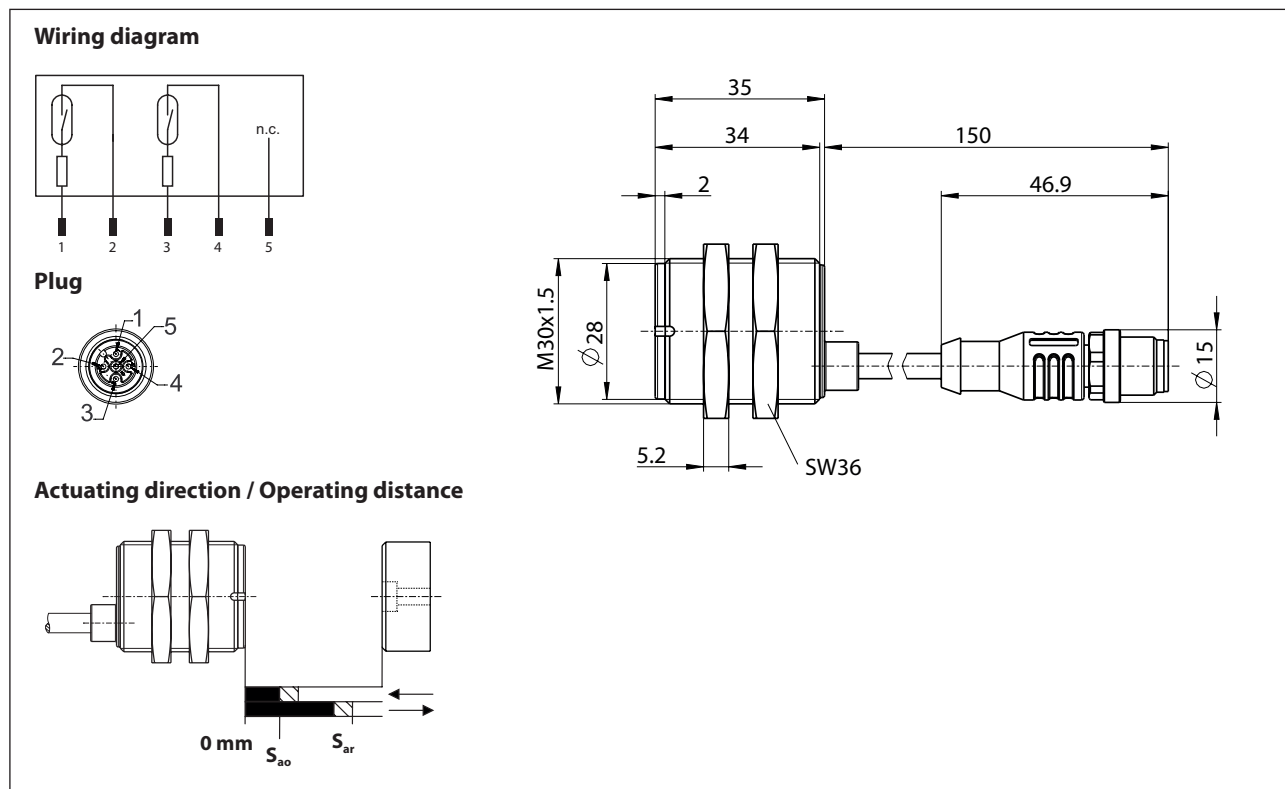


Module	Type designation	Article number	
1	Magnetic switch	MAK-5326-B-0.15-M12	6490653419 (see page 2-3)
2	Magnet	TK-53-CD/2 SN8	6402053087 (see page 4)

## Coded Magnetic Switch Series MAK-53

Description **MAK-5326-B-0.15-M12**

Article number **6490653419**



### Technical data

Switching function	2 x N.O.
Reference magnet	TK-53-CD/2 SN8 (6402053087)
Assured operating distance - ON	$S_{ao} \geq 5 \text{ mm}$
Assured operating distance - OFF	$S_{ar} \leq 17 \text{ mm}$
Repeat accuracy	R $\pm 0,1 \text{ mm}$ , under same geometrical conditions at the same temperature
Utilization category	DC-12
Frequency of operating cycles	f 1 Hz

### Electrical data


Max. voltage	30 V DC
Max. switching current	0,08 A
Max. switching capacity	0,25 W
Internal series resistors	27 $\Omega$ , per channel
Protection class acc. to EN IEC 61558	III (safety extra-low voltage)
Note	Combinations of switching voltage and switching current must not exceed the maximum switching capacity.

Mechanical data	
Enclosure	PBT, black; encapsulated reed contact
For attachment	2x hexagon nut (nickel-plated brass)
Temperature range	- 10 °C ... + 70 °C (cable not fixed mounted) - 25 °C ... + 70 °C (cable fixed mounted)
Mechanical life	3 x 10 <sup>8</sup> operating cycles
Vibration	30 G (50 - 2000 Hz)
Shock	100 G (11 ms, ½ Sinewave)
Protection type	IP 67 acc. to EN 60529
Degree of pollution	3 acc. to 60947-1
Termination type	0,15m pigtail (PUR sheath) with M12 connector 5-pin
Assembly position	optional (assembly on ferromagnetic material means reduction of switch distance)

ID for safety engineering	
B10d	20 x 10 <sup>6</sup> Zyklen (20 % load) 0,4 x 10 <sup>6</sup> Zyklen (nominal load)
Mission time	20 years

Standards	
	DIN EN ISO 13849-1
	EN 60947-5-3
Note	The standard EN 60947-5-3 is only complied with by a complete system consisting of coded magnetic switch with associated actuator and a suitable safety safety evaluation system.

EU Conformity	
	acc. to directive 2006/42/EC (Safety-of-Machinery-Directive)

Approvals	
	
	UL Listed, Ind. Cont. Eq. / Class 2 Power source

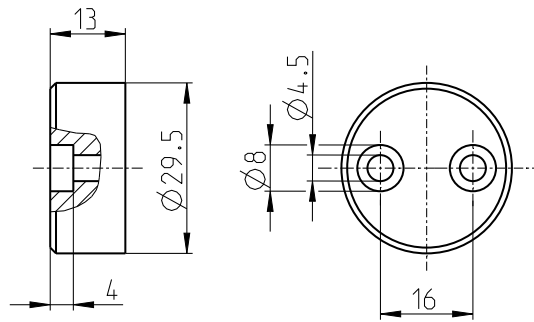
Notes	
Contact protection must be provided for inductive and capacitive loads.	

## Magnetic Switch

### Coded Switching Magnet

Description **TK-53-CD/2 SN8**

Article number **6402053087**



#### Mechanical data

Enclosure	PA6.6 black (encapsulated magnets)
Magnet	Neodym-iron-boron (NdFeB)
Ambient air temperature	-20 °C ... +80 °C
Application	Magnetic limit switch type <b>MAK 53</b>
Installation position	operator definable
Pollution degree	3 acc. to EN 60947-1

#### Approvals



UL Listed, Ind. Cont. Eq.