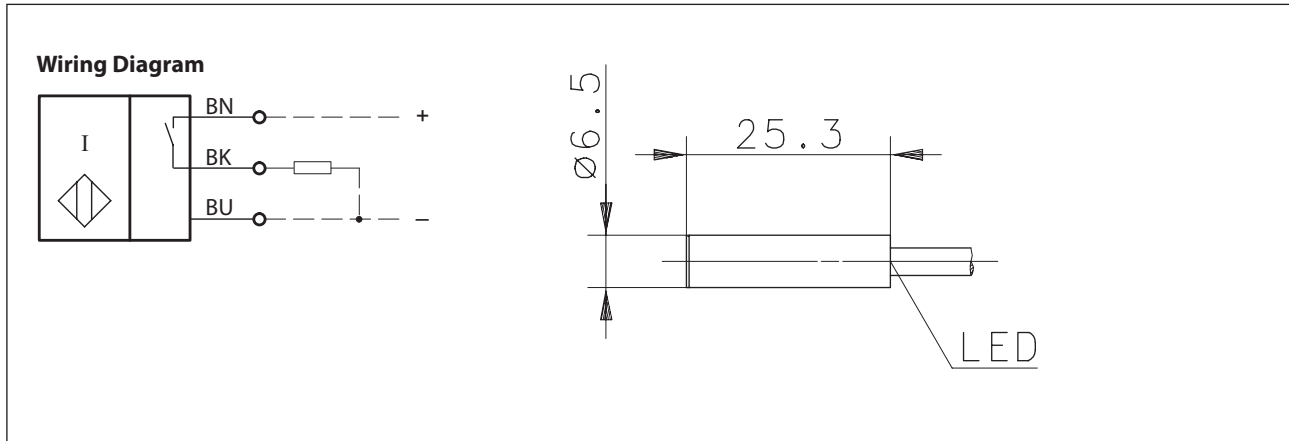


## Inductive Proximity Switch Series D06

Description **KIB-D06PS/1,5-KL5V**

Article number **6602999460**



### Identifying characteristics in accordance with EN 60947-5-2

Electrical data		
Rated operating distance	$S_n$	1,5 mm
Standard target		6,5 mm x 6,5 mm, t = 1 mm, material: FE360
Real sensing distance	$S_r$	1,35 ... 1,65 mm
Assured operating distance	$S_a$	0 ... 1,2 mm
Switching element function		DC, N.O.
Repeat accuracy	R	≤ 5 %
Differential travel (hysteresis)	H	≈ 10 %
Operational voltage range	$U_B$	10 - 30 V DC
Rated insulation voltage	$U_i$	75 V DC
Rated impulse withstand voltage	$U_{imp}$	500 V
Voltage drop	$U_d$	< 2 V
Utilization category		DC-13
Rated operational current	$I_e$	≤ 200 mA
Minimum operating current	$I_m$	1 mA
Off-state current	$I_r$	< 0,1 mA
No-load supply current	$I_o$	≤ 10 mA
Switching element		Permanent overload and s.c.p.
Short-circuit protection		pulsed, current limited and thermal
Frequency of operating cycles	f	1000 Hz
Mounting		flush
False polarity protection		yes
Time delay before availability	$t_v$	≤ 50 ms

Mechanical Data	
Front cap	PA 6, black
Enclosure	Niro 1.4401 (V4A)
Ambient air temperature	-25 °C ... +70 °C
Type of protection	IP67
Indication	LED, yellow
Termination type	Cable 3 x 0,14 mm <sup>2</sup> x 5 m ±5 %, PVC - Outer jacket, black
Degree of pollution	3 (Pollution of the active zone can cause impairments of the operating distances)

EU Conformity	
acc. to directive 2014/30/EU (EMC-Directive)	

Product reliability (in acc. with DIN EN 61709 (SN 29500))	
MTTF	> 1150 years (Confidence level (CL) 60 %, Mean ambient air temperature 40 °C)