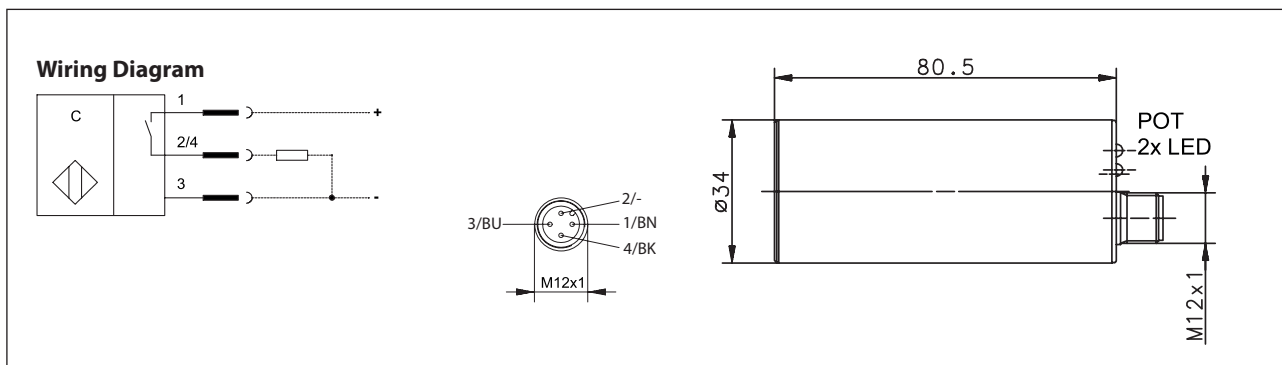


## Capacitive Proximity Switch Series Ø34

Description **KCB-D34PS/020-KLPS12**

Article number **6507915006**



### Identifying characteristics in accordance with EN 60947-5-2

Electrical data		
Rated operating distance	$S_n$	20 mm
Mounting		flush
Standard target		60 x 60 x 1 mm; material: steel; connected to earth
Effective operating distance	$S_r$	5-20 mm; $S_r$ adjustable via potentiometer (POT). Clockwise rotation increases sensitivity, Turning to the left reduces the sensitivity
Assured operating distance	$S_a$	$0 \leq S_a \leq 0,8 \cdot S_r$
Switching element function		N.O.
Repeat accuracy	R	$\leq 0,1 \cdot S_r$
Differential travel (hysteresis)	H	$\leq 0,2 \cdot S_r$
Frequency of operating cycles	f	$\approx 25$ Hz
Rate doperational voltage	$U_e$	12 V - 24 V DC
Operational voltage range	$U_B$	10 V - 36 V DC
Rated insulation voltage	$U_i$	75 V DC
Rated impulse withstand voltage	$U_{imp}$	500 V
Voltage drop	$U_d$	$\leq 1,5$ V DC
Utilization category		DC-13 (Switching element)
Rated operational current	$I_e$	200 mA DC
Minimum operational current	$I_m$	1 mA DC
Off-state current	$I_r$	$\leq 0,5$ mA DC
No-load supply current	$I_o$	$\leq 20$ mA DC
Switching element		permanent overload and s.c.p.
Short-circuit protection		pulsed
Rated supply frequency		DC
False polarity protection		with permutation of +, -, output no damage occurs
Time delay before availability	$t_v$	$\leq 50$ ms

<b>Mechanical Data</b>	
Enclosure	Brass, nickel plated
Front cap	PTFE
End cap	PA6.6, black
Ambient air temperature	-15 °C ... +50 °C
Type of protection	IP67 (only with screwed plug-in-connector)
Pollution degree	3 (Pollution of the optic can cause impairments of the operating distances.)
Indication	Power ON = LED green Output ON = LED yellow
Termination type	Plug M12 x 1, brass nickel plated

<b>EU Conformity</b>
acc. to directive 2014/30/EU (EMC-Directive)