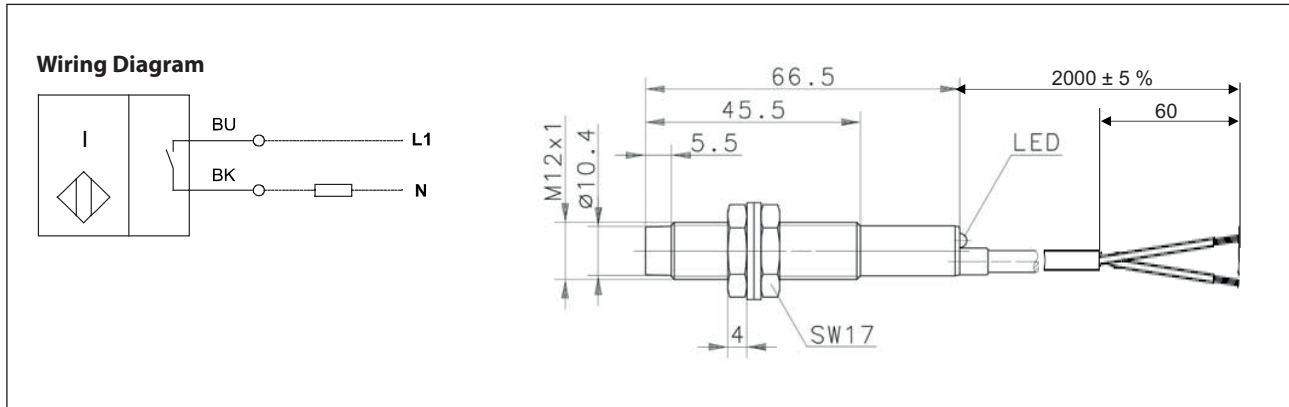


Inductive Proximity Switch Series M12

Description **KIN-M12AS/004-L2**

Article number **6503504001**



Identifying characteristics in accordance with EN 60947-5-2

Electrical data		
Rated operating distance	S_n	4 mm
Standard target		12 mm x 12 mm, t = 1mm; material: FE360
Mounting		non flush
Assured operating distance	S_a	0 ... 3,2 mm
Switching element function		AC, N.O.
Repeat accuracy	R	≤ 5 %
Differential travel (hysteresis)	H	≤ 0,2 x S_r
Rated operational voltage	U_e	230 V AC
Operational voltage range	U_B	76 – 250 V AC
Rated insulation voltage	U_i	250 V AC
Voltage drop	U_d	< 10 VAC _{eff}
Utilization category		AC 140
Rated operational current	I_e	200 mA
Minimum operational current	I_m	≤ 5 mA
Off-state current	I_r	< 2,5 mA
Short-time current	I_k	1 A, 1 half-wave
Short-circuit protection		without
Frequency of operating cycles	f	≈ 10 Hz
Rated supply frequency		50 Hz, 60 Hz
Protection class		II
Time delay before availability	t_v	< 100 ms

Mechanical Data	
Front cap	PA 6.6, black
Enclosure	Brass, nickel plated
Ambient air temperature	-25 °C ... +70 °C
Type of protection	IP67
Pollution degree	3 (Pollution of the active zone can cause impairments of the operating distances.)
Indication	LED yellow
Termination type	Cable 2 x 0,14 mm ² , PVC - Outer jacket, black;
For attachment	2 x hexagon nut, 2x toothed washer

EU Conformity	
acc. to directive 2014/30/EU (EMC-Directive)	