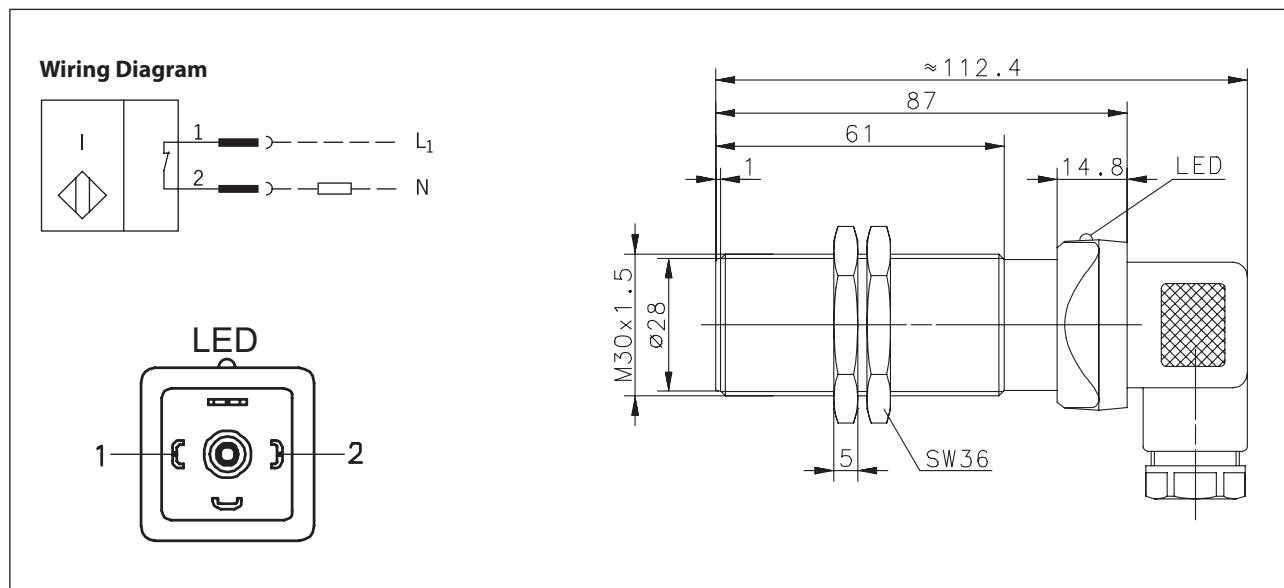


Inductive Proximity Switch Series M30

Description **KIB-M30AÖ/010-LSD**

Article number **6503435959**



Identifying characteristics in accordance with EN 60947-5-2

Electrical data		
Rated operating distance	S_n	10 mm
Standard target		30 mm x 30 mm, t = 1 mm; Material: FE360
Real sensing distance	S_r	9,0 ... 11,0 mm
Assured operating distance	S_a	0 ... 8,1 mm
Switching element function		N.C., AC
Repeat accuracy	R	≤ 5 %
Differential travel (hysteresis)	H	≈ 10 %
Operational voltage range	U_B	20 - 265 V AC
Rated insulation voltage	U_i	265 V AC
Rated impulse withstand voltage	U_{imp}	500 V
Voltage drop	U_d	≈ 5 V
Utilization category		AC-140
Rated operational current	I_e	500 mA
Off-state current	I_r	< 2 mA
Inrush current	I_k	3 A
Frequency of operating cycles	f	20 Hz
Rated supply frequency		50/60 Hz
Protection class		II
Mounting		flush
Time delay before availability	t_v	≤ 100 ms

Mechanical Data	
Front cap	PA 6.6, black
Enclosure	Brass, nickel plated
End cap	PA 6, black
Ambient air temperature	-25 °C ... +70 °C (plug: -30 °C +120 °C)
Type of protection	IP65 (only in fully locked position with it's plugs)
Pollution degree	3 (Pollution of the active zone can cause impairments of the operating distances.)
Indication	LED yellow
Termination type	Connection in dependence on DIN EN 175301-803
For attachment	2 x hexagon nut

EU Conformity	
	acc. to directive 2014/35/EU (Low-Voltage-Directive)
	acc. to directive 2014/30/EU (EMC-Directive)