

Technical Data

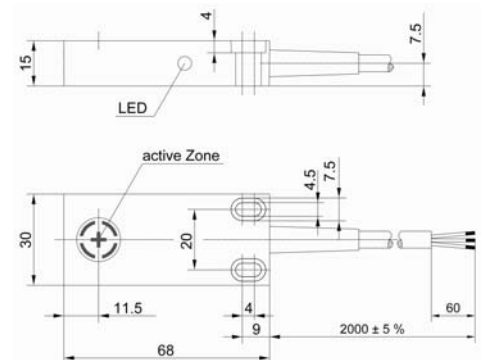
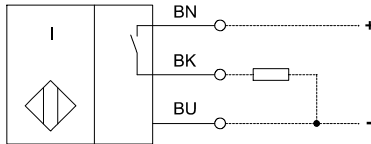
Inductive Proximity Switch

Series E68

Description **KIN-E68PS/007-KL2**

Article number **6502956076**

Wiring Diagram



Identifying characteristics in accordance with EN 60947-5-2

Electrical data

Rated operating distance	S_n	7 mm
Standard target		30 x 30 mm, t = 1 mm, material: FE360
Effective operating distance	S_r	6,3 ... 7,7 mm
Assured operating distance	S_a	0 ... 5,7 mm
Switching element function		DC, N.O.
Repeat accuracy	R	≤ 5 %
Differential travel (hysteresis)	H	≈ 10 %
Rated operational voltage	U_e	12 – 48 V DC
Operational voltage range	U_B	10 – 60 V DC
Rated insulation voltage	U_i	75 V DC
Rated impulse withstand voltage	U_{imp}	500 V
Voltage drop	U_d	≤ 2,5 V
Utilization category		DC-13
Rated operational current	I_e	200 mA
Minimum operational current	I_m	1 mA
Off-state current	I_r	< 0,1 mA
No-load supply current	I_o	< 8 mA
Switching element		Permanent overload and s.c.p.
Short-circuit protection		pulsed
Frequency of operating cycles	f	200 Hz
Rated supply frequency		DC
Mounting		non flush
False polarity protection		yes
Time delay before availability	t_v	≤ 50 ms

Electromagnetic compatibility (EMC)

Electromagnetic field test	IEC 61000-4-3
Electrostatic discharge test	IEC 61000-4-2
Electrical fast transient immunity test (Burst)	IEC 61000-4-4
Radiated disturbance field strength	EN 55011

Mechanical Data

Enclosure	PBT, black
Ambient air temperature	-25°C ... +70°C
Type of protection	IP67
Pollution degree	3 (Pollution of the active zone can cause impairments of the operating distances.)
Indication	LED, yellow
Termination type	Cable 3 x 0,5mm ² , PVC - Outer jacket, black

EU Conformity

acc. to directive 2004/108/EC

This document will not become the contractual basis; the details included herein do not constitute any descriptions of expected conditions, so that warranties/claims for defects on account of possible variations of the actual qualities from the qualities described herein are explicitly excluded. All rights reserved. Specifications subject to change without notice!

Date of issue: 19.07.2012 / Page 1 of 1
Document : 6502956076_en.doc / Last update: 1 / 0277-12