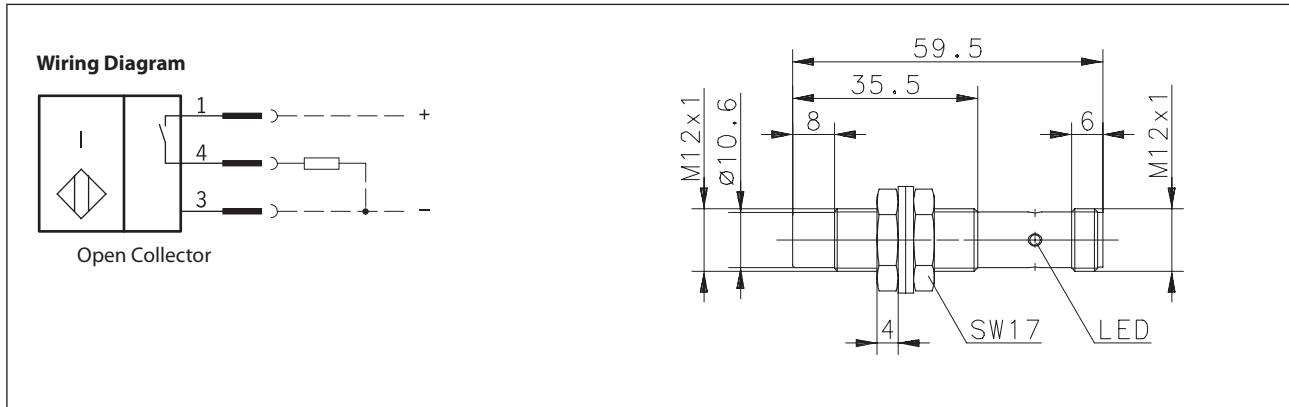


Inductive Proximity Switch Series M12

Description **KIN-M12PS/008-KLS12E**

Article number **6502944013**



Identifying characteristics in accordance with EN 60947-5-2

Electrical data		
Rated operating distance	S_n	8 mm
Standard target		24 mm x 24 mm, t = 1 mm; material: FE360
Real sensing distance	S_r	7,2 ... 8,8 mm
Assured operating distance	S_a	0 ... 6,4 mm
Switching element function		DC, N.O.
Repeat accuracy	R	≤ 5 %
Differential travel (hysteresis)	H	≈ 10 %
Operational voltage range	U_B	10 - 36 V DC
Rated insulation voltage	U_i	75 V DC
Rated impulse withstand voltage	U_{imp}	500 V
Voltage drop	U_d	≤ 1,5 V
Utilization category		DC-13
Rated operational current	I_e	200 mA
Minimum operating current	I_m	1 mA
Off-state current	I_r	< 0,3 mA
No-load supply current	I_o	≤ 8 mA
Switching element		Permanent overload and s.c.p.
Short-circuit protection		pulsed
Frequency of operating cycles	f	400 Hz
Mounting		non flush
False polarity protection		Yes
Time delay before availability	t_v	≤ 50 ms

Mechanical Data	
Front cap	PBT, black
Enclosure	Brass, nickel plated
Ambient air temperature	-25 °C ... +70 °C
Type of protection	IP67 (only in fully locked position with it's plugs)
Degree of pollution	3 (Pollution of the active zone can cause impairments of the operating distances.)
Indication	LED yellow
Termination type	Plug connector
For attachment	2 x hexagon nut and 2 x toothed washer

EU Conformity	
acc. to directive 2014/30/EU (EMC-Directive)	