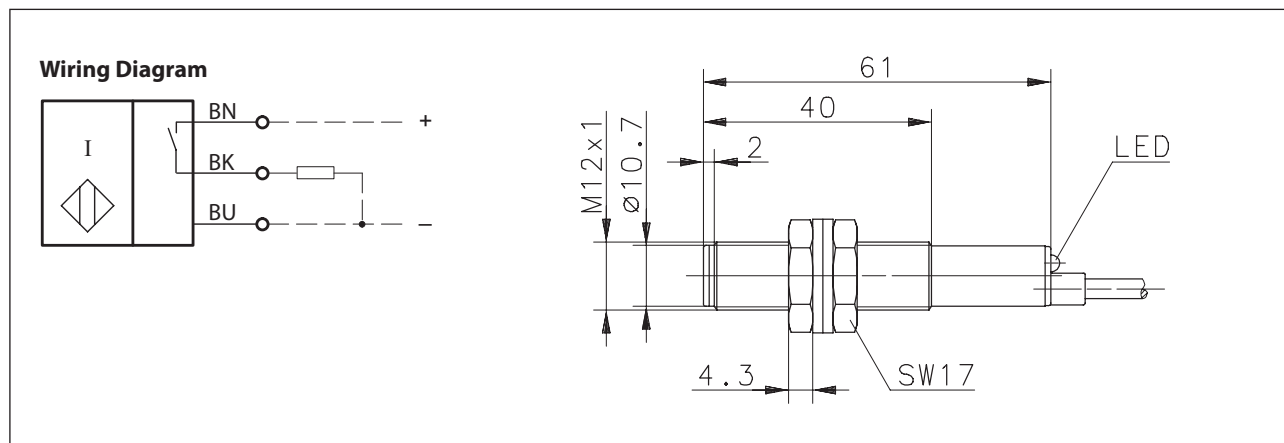


Inductive Proximity Switch Series M12

Description **KIN-T12PS/004-KL2**

Article number **6502919001**



Identifying characteristics in accordance with EN 60947-5-2

Electrical data		
Rated operating distance	S_n	4 mm
Standard target		12 mm x 12 mm, t = 1 mm; material: FE360
Real sensing distance	S_r	3,6 ... 4,4 mm
Assured operating distance	S_a	0 ... 3,2 mm
Switching element function		DC, N.O.
Repeat accuracy	R	≤ 5 %
Differential travel (hysteresis)	H	≈ 10 %
Operational voltage range	U_B	10 - 30 V DC
Rated insulation voltage	U_i	75 V DC
Rated impulse withstand voltage	U_{imp}	500 V
Voltage drop	U_d	≤ 1,5 V (add. 0,06 V per m cable and 200 mA Load at 20 °C)
Utilization category		DC 13
Rated operational current	I_e	200 mA
Minimum operating current	I_m	1 mA
Off-state current	I_r	< 0,1 mA
No-load supply current	I_o	≤ 11 mA
Switching element		Permanent overload and s.c.p.
Short-circuit protection		pulsed
Frequency of operating cycles	f	1000 Hz
Mounting		non flush
False polarity protection		yes
Time delay before availability	t_v	≤ 50 ms

Mechanical Data	
Enclosure	PA 6, red
Endcap	PA 12, black
Ambient air temperature	-25 °C ... +70 °C
Type of protection	IP67
Indication	LED, yellow
Termination type	Cable 3 x 0,14 mm ² x 2 m, PVC - Outer jacket, black
For attachment	2 x hexagon nut, nut torque ≤ 5 Nm 2 x washer

Product reliability (in acc. with DIN EN 61709 (SN 29500))	
MTTF (at 40 °C)	> 1150 years

EU Conformity	
	acc. to directive 2014/30/EU (EMC-Directive)