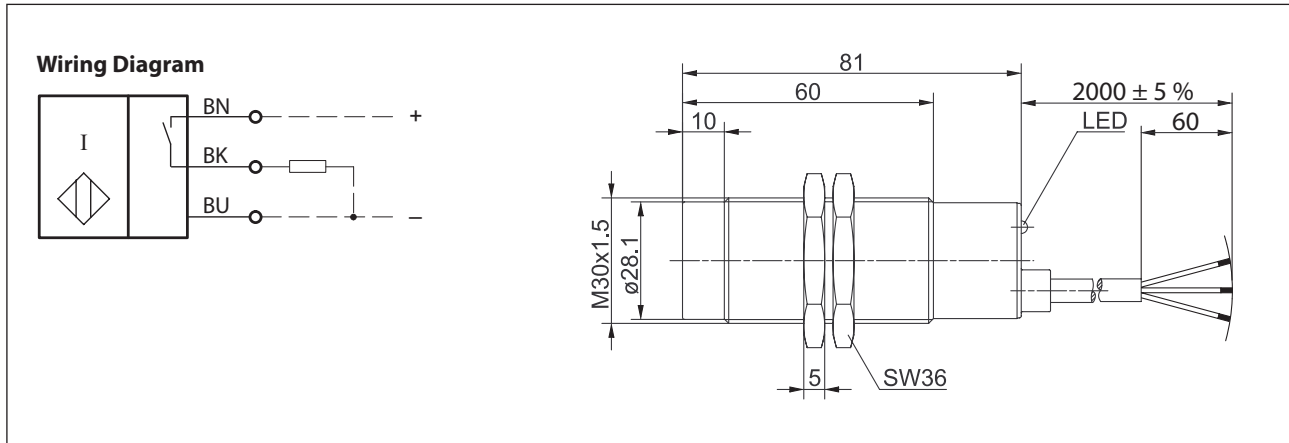


## Inductive Proximity Switch Series M30

Description **KIN-M30PS/015-KL2**

Article number **6502908002**



### Identifying characteristics in accordance with EN 60947-5-2

Electrical data		
Rated operating distance	$S_n$	15 mm
Standard target		45 mm x 45 mm, t = 1 mm; Material: FE360
Real sensing distance	$S_r$	13,5 ... 16,5 mm
Assured operating distance	$S_a$	0 ... 12,2 mm
Switching element function		N.O., DC
Repeat accuracy	R	≤ 5 %
Differential travel (hysteresis)	H	≈ 10 %
Operational voltage range	$U_B$	10 - 60 V DC
Rated insulation voltage	$U_i$	75 V DC
Rated impulse withstand voltage	$U_{imp}$	500 V
Voltage drop	$U_d$	≤ 2,5 V
Utilization category		DC-13
Rated operational current	$I_e$	≤ 200 mA
Minimum operating current	$I_m$	1 mA
Off-state current	$I_r$	< 0,1 mA
No-load supply current	$I_o$	< 8 mA
Switching element		Permanent overload and s.c.p.
Short-circuit protection		pulsed
Frequency of operating cycles	f	100 Hz
Mounting		non flush
False polarity protection		yes
Time delay before availability	$t_v$	< 50 ms

<b>Mechanical Data</b>	
Front cap	LCP, black
Enclosure	Brass, nickel plated
Endcap	PA 12, black
Ambient air temperature	-25 °C ... +70 °C
Type of protection	IP67
Degree of pollution	3 (pollution of the active region, there can may be a deterioration of the operating distance)
Indication	LED yellow
Termination type	Cable 3 x 0,5 mm <sup>2</sup> , PVC - Outer jacket, black
For attachment	2 x hexagon nut

<b>EU Conformity</b>	
acc. to directive 2014/35/EU (Low-Voltage-Directive)	