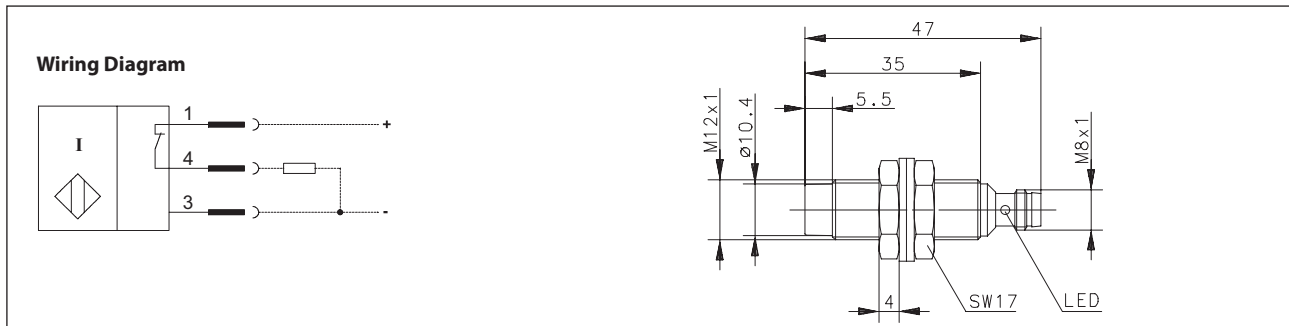


Inductive Proximity Switch Series M12

Description **KIN-M12PÖ/004-KLSM8V**

Article number **6502744006**



Identifying characteristics in accordance with EN 60947-5-2

Electrical data		
Rated operating distance	S_n	4 mm
Standard target		12 mm x 12 mm, t = 1 mm, material: FE360
Real sensing distance	S_r	3,6 ... 4,4 mm
Assured operating distance	S_a	0 ... 3,2 mm
Switching element function		DC, N.C.
Repeat accuracy	R	≤ 5 %
Differential travel (hysteresis)	H	≈ 10 %
Operational voltage range	U_B	10 - 36 V DC
Rated insulation voltage	U_i	75 V DC
Rated impulse withstand voltage	U_{imp}	500 V
Voltage drop	U_d	≤ 1,5 V
Utilization category		DC 13
Rated operational current	I_e	≤ 200 mA
Off-state current	I_r	< 0,1 mA
No-load supply current	I_o	< 11 mA
Switching element		Permanent overload and s.c.p.
Short-circuit protection		pulsed
Frequency of operating cycles	f	1000 Hz
Mounting		non flush
False polarity protection		yes
Time delay before availability	t_v	≤ 50 ms

Mechanical Data	
Front cap	PA 6.6, black
Enclosure	Brass, nickel plated
Indication	LED, yellow
Ambient air temperature	-25 °C ... +70 °C
Type of protection	IP67 (only in fully locked position with it's plugs)
Termination type	Plugsocket
For attachment	2 x hexagon nut and 2 x toothed washer

EU Conformity
acc. to directive 2014/30/EU (EMC-Directive)