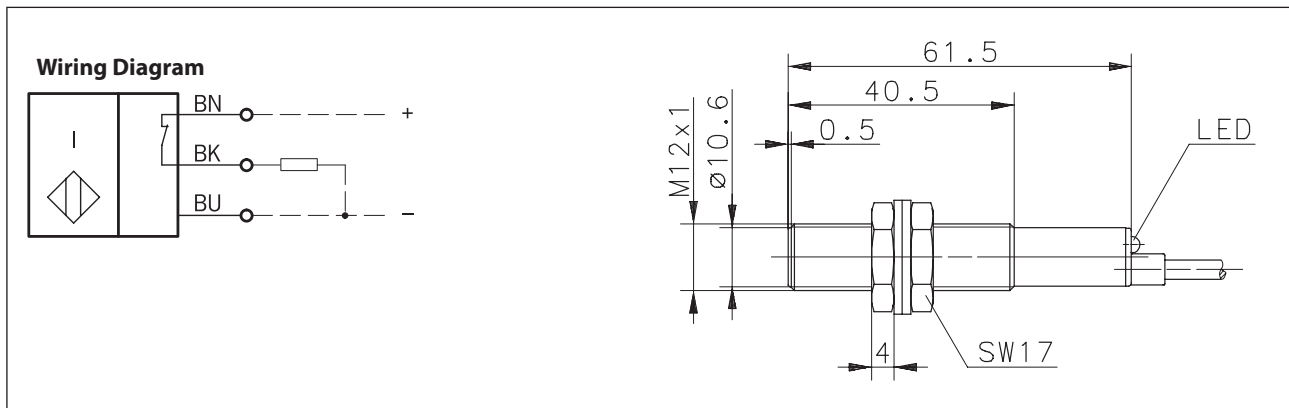


## Inductive Proximity Switch Series M12

Description **KIB-M12PÖ/002-KL2**

Article number **6502703001**



### Identifying characteristics in accordance with EN 60947-5-2

| Electrical data                  |           |  |
|----------------------------------|-----------|--|
| Rated operating distance         | $S_n$     | 2 mm                                     |
| Standard target                  |           | 12 mm x 12 mm, t = 1 mm, material: FE360 |
| Real sensing distance            | $S_r$     | 1,8 ... 2,2 mm                           |
| Assured operating distance       | $S_a$     | 0 ... 1,6 mm                             |
| Switching element function       |           | DC, N.C.                                 |
| Repeat accuracy                  | R         | ≤ 5 %                                    |
| Differential travel (hysteresis) | H         | ≈ 10 %                                   |
| Operational voltage range        | $U_B$     | 10 - 30 V DC                             |
| Rated insulation voltage         | $U_i$     | 75 V DC                                  |
| Rated impulse withstand voltage  | $U_{imp}$ | 500 V                                    |
| Voltage drop                     | $U_d$     | ≤ 1,5 V                                  |
| Utilization category             |           | DC 12                                    |
| Rated operational current        | $I_e$     | 200 mA                                   |
| Minimum operating current        | $I_m$     | 1 mA                                     |
| Off-state current                | $I_r$     | < 0,1 mA                                 |
| No-load supply current           | $I_o$     | < 11 mA                                  |
| Switching element                |           | Permanent overload and s.c.p.            |
| Short-circuit protection         |           | pulsed                                   |
| Frequency of operating cycles    | f         | 800 Hz                                   |
| Mounting                         |           | flush                                    |
| False polarity protection        |           | yes                                      |
| Time delay before availability   | $t_v$     | ≤ 50 ms                                  |

| <b>Mechanical Data</b>  |  |
|-------------------------|--|
| Front cap               | PA6.6, black   |
| Enclosure               | Brass, nickel plated   |
| Endcap                  | PA6.6, black   |
| Ambient air temperature | -25 °C ... +70 °C  |
| Type of protection      | IP69k  |
| Degree of pollution     | 3 (pollution of the active region, there can may be a deterioration of the operating distance)   |
| Termination type        | Cable 2 x 0,14 mm <sup>2</sup> , PVC-Outer jacket, black   |
| For attachment          | 2 x hexagon nut brass, nickel plated (tightening torque ≤ 10 Nm) and 2 x toothed washer (1.4310) |

| <b>EU Conformity</b>                         |
|--|
| acc. to directive 2014/30/EU (EMC-Directive) |