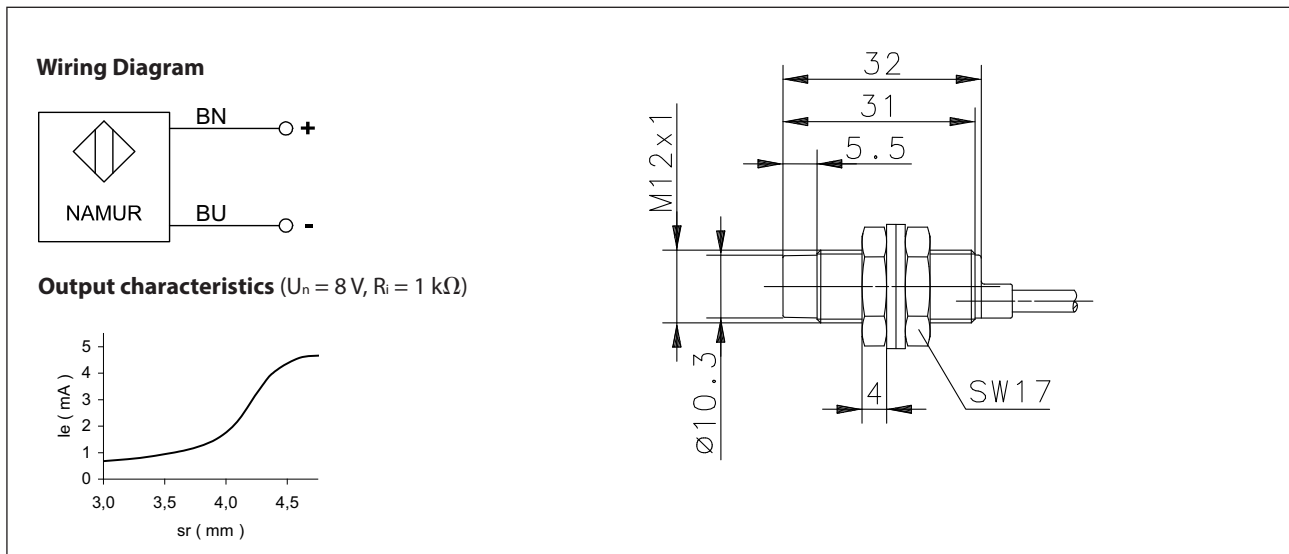


Inductive Proximity Switch - Namur Series M12

Description **KIN-M12EA/004-2**

Article number **6501625761**



Identifying characteristics in accordance with DIN EN 60947-5-6

Electrical data		
Mounting		non flush
Rated operating distance	S_n	4 mm (switching point 1,5 mA @ $U_n = 8\text{ V}$ und $R_i = 1\text{ k}\Omega$)
Standard target		12 mm x 12 mm, t = 1 mm, Material: FE360
Repeat accuracy	R	$\leq 5\%$
Rated voltage	U_n	DC 8 V
Rated operational voltage	U_e	DC 5 ... 25 V
Ripple		$\leq 5\%$
Current input		> 3 mA ($U_n = 8\text{ V}$ und $R_i = 1\text{ k}\Omega$) sensing face free < 1 mA ($U_n = 8\text{ V}$ und $R_i = 1\text{ k}\Omega$) sensing face damping
Frequency of operating cycles	f	$\leq 400\text{ Hz}$
Self-inductance	L_i	100 μH
Self-capacitance	C_i	55 nF

Mechanical Data	
Front cap	PA 6.6, blue
Enclosure	Brass, nickel plated
End cap	PA 6.6, blue
Ambient air temperature	-25 °C ... +70 °C
Type of protection	IP67
Termination type	Cable 2 x 0,25 mm ² x 2 m, PVC - Outer jacket, blue
For attachment	2 x hexagon nut and 2 x toothed washer

Product reliability (in acc. with DIN EN 61709 (SN 29500))	
MTTF (at nominal load, 40 °C)	> 1650 years
EU Conformity	
	acc. to directive 2014/30/EU
EMC	
	acc. to EN 60947-5-2