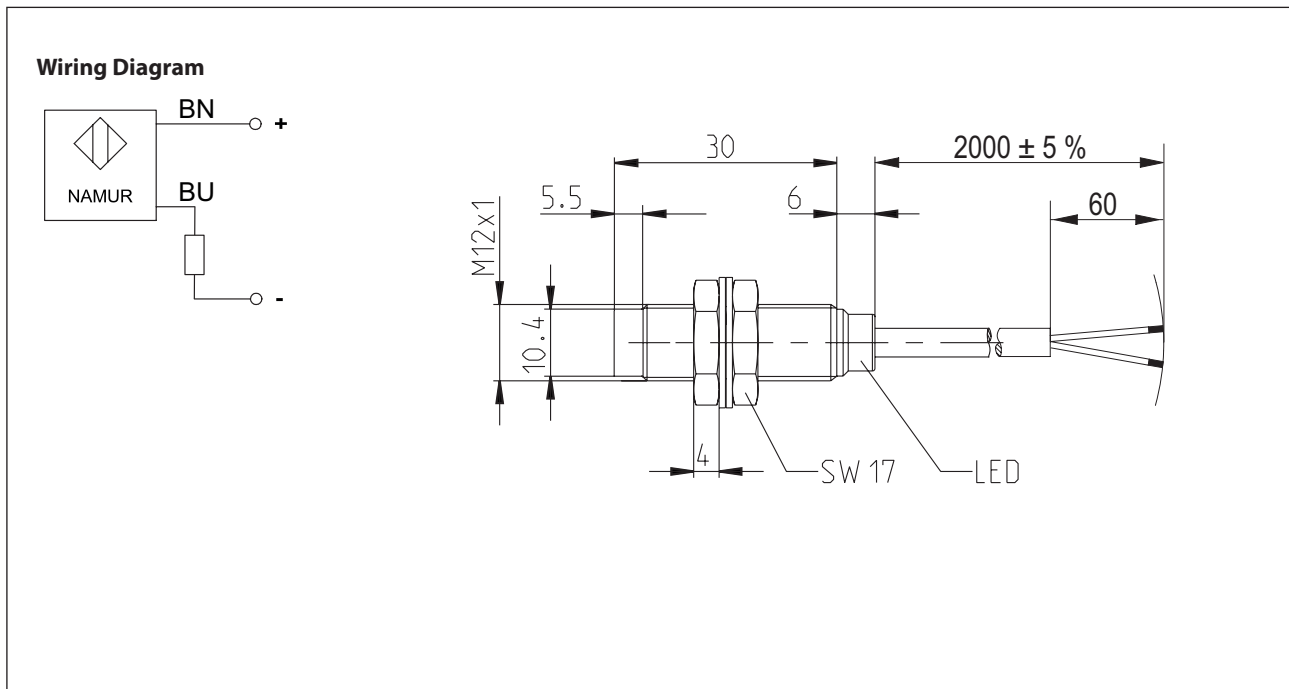


## Inductive Proximity Switch - Namur Series M12

Description **KIN-M12EÖ/004-KL2**

Article number **6501625004**



### Identifying characteristics in accordance with DIN EN 60947-5-6

Electrical data		
Mounting		non flush
Rated operating distance	$S_n$	4 mm
Standard target		12 mm x 12 mm, t = 1 mm, Material: FE360
Differential travel (hysteresis)	H	≈ 10 %
Assured operating distance	$S_a$	0 ... 3,2 mm
Repeat accuracy	R	≤ 2 %
Rated voltage	$U_n$	DC 8 V
Rated operational voltage	$U_e$	DC 5 ... 30 V
Ripple		≤ 5 %
Current input		> 3,8 mA ( $U_n = 8\text{ V}$ and $R_i = 1\text{ k}\Omega$ ) sensing face free < 1,0 mA ( $U_n = 8\text{ V}$ and $R_i = 1\text{ k}\Omega$ ) sensing face damping
Voltage drop	$U_d$	≤ 6,5 V at $I = 10\text{ mA}$
Frequency of operating cycles	f	≈ 1 kHz

<b>Mechanical Data</b>	
Front cap	PA6, black
Enclosure	Brass, nickel plated
End cap	PA 12, transparent
Ambient air temperature	-25 °C ... +70 °C
Type of protection	IP67
Indication	LED, yellow
Termination type	Cable 2 x 0,34 mm <sup>2</sup> , PVC - Outer jacket, black
For attachment	2 x hexagon nut (tightening torque ≤ 10 Nm), Brass, nickel plated and 2 x toothed washer, 1.4310

<b>EU Conformity</b>
acc. to directive 2014/30/EU (EMC-Directive)

<b>EMC</b>
acc. to EN 60947-5-2