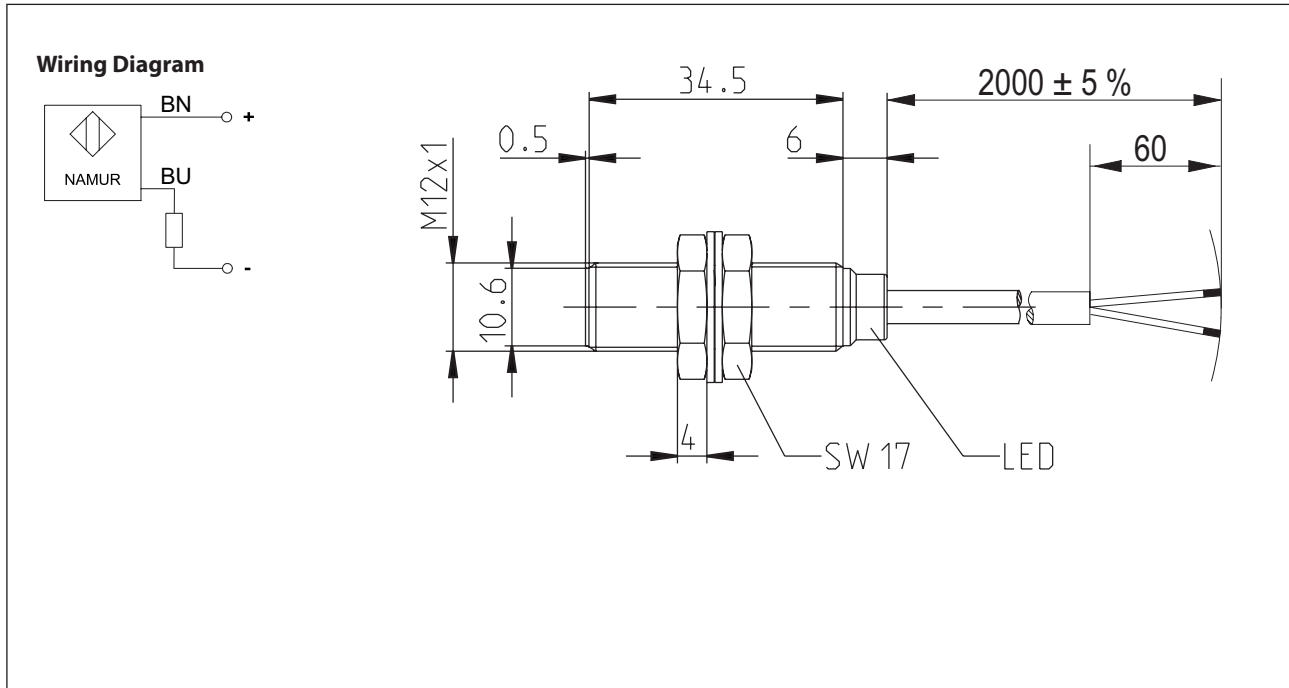


Inductive Proximity Switch - Namur Series M12

Description **KIB-M12ES/004-L2**

Article number **6501624004**



Identifying characteristics in accordance with DIN EN 60947-5-6

Electrical data		
Mounting		flush
Rated operating distance	S_n	4 mm (Characteristic acc. to DIN EN 60947-5-6, 5.4 Fig. 2)
Standard target		12 mm x 12 mm, t = 1 mm, Material: FE360
Assured operating distance	S_a	0 ... 3,2 mm
Repeat accuracy	R	≤ 5 %
Rated voltage	U_n	DC 8 V
Rated operational voltage	U_e	DC 5 ... 25 V
Ripple		≤ 5 %
Current input		> 3,8 mA ($U_n = 8\text{ V}$ and $R_i = 1\text{ k}\Omega$) sensing face damping < 1,0 mA ($U_n = 8\text{ V}$ and $R_i = 1\text{ k}\Omega$) sensing face free
Frequency of operating cycles	f	≈ 1 kHz

Mechanical Data	
Front cap	LCP, black
Enclosure	Brass, nickel plated
End cap	PA 12, transparent
Ambient air temperature	-25 °C ... +70 °C
Type of protection	IP67
Indication	LED, yellow
Termination type	Cable 2 x 0,34 mm ² , PVC - Outer jacket, black
For attachment	2 x hexagon nut (tightening torque ≤ 10 Nm), Brass, nickel plated and 2 x toothed washer, 1.4310

EU Conformity
acc. to directive 2014/30/EU (EMC-Directive)

EMC
acc. to EN 60947-5-2

Notes
Overvoltage protection at 10-30 V for 400 ms.