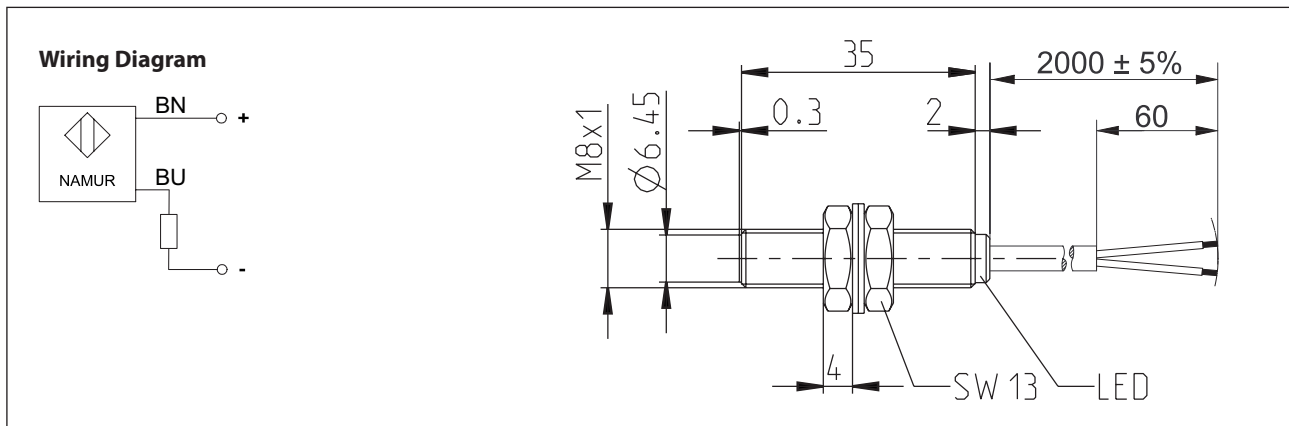


Inductive Proximity Switch - Namur Series M08

Description **KIB-M08ES/002-L2**

Article number **6501601007**



Identifying characteristics in accordance with DIN EN 60947-5-6

Electrical data	
Mounting	flush
Rated operating distance	S_n 2 mm (Characteristic acc. to DIN EN 60947-5-6, 5.4 Fig. 2)
Standard target	8 mm x 8 mm, t = 1 mm, Material: FE360
Assured operating distance	S_a 0 ... 1,6 mm
Repeat accuracy	R ≤ 5 %
Rated voltage	U_n DC 8 V
Rated operational voltage	U_e DC 5 ... 25 V
Ripple	≤ 5 %
Current input	> 3,8 mA ($U_n = 8$ V and $R_i = 1$ k Ω) sensing face damping < 1,0 mA ($U_n = 8$ V and $R_i = 1$ k Ω) sensing face free
Frequency of operating cycles	f ≈ 1,5 kHz

Mechanical Data	
Front cap	LCP, black
Enclosure	Niro 1.4305
End cap	PA12, transparent
Ambient air temperature	-25 °C ... +70 °C
Type of protection	IP67
Indication	LED, yellow
Termination type	Cable 2 x 0,34 mm ² , PVC - Outer jacket, black
For attachment	2 x hexagon nut 1.4305 and 2 x toothed washer (tightening torque ≤ 8 Nm), 1.4310

EU Conformity
acc. to directive 2014/30/EU (EMC-Directive)
EMC
acc. to EN 60947-5-2
Notes
Overvoltage protection at 10-30 V for 400 ms.