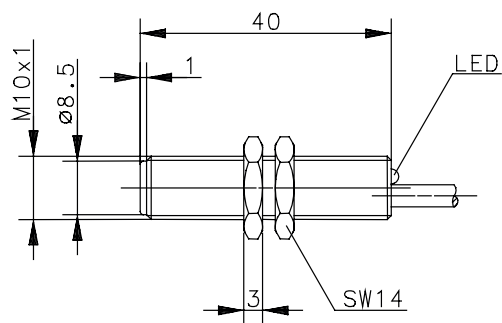
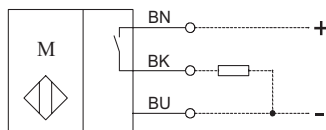


Magnetic Sensor Series M10

Description **MEM-M10PS/H10-KL2T**

Article number **6472261080**

Wiring diagram



Technical data

Switching function	PNP, N.O.	
Switching element	Hall (south activated), typ. 10 mT	
Reference magnet	T-62 N/S	
Assured operating distance - ON	S_{ao}	17 mm
Repeat accuracy	R	± 0,1 mm, under same geometrical conditions at the same temperature
Frequency of operating cycles	f	1500 Hz
Short-circuit protection	pulsed	
False polarity protection	yes	

Electrical Data

Operational voltage range	U_B	10-39 V DC
Switching current	400 mA	
Supply current	< 20 mA	
Voltage drop	U_d	< 3 V
Minimum operating current	I_m	1 mA
Protection class acc. to EN 61558	III (safety extra-low voltage)	

Mechanical data	
Enclosure	brass, nickel plated
Ambient air temperature	- 5 °C ... + 70 °C (cable not fixed mounted) - 40 °C ... + 70 °C (cable fixed mounted)
Type of protection	IP67 acc. to EN 60529
Indication	LED, yellow
Termination type	Cable 3 x 0,14 mm ² x 2 m ± 5 %; non halogen outer jacket Type 2, black
For attachment	2 x hexagon nut, brass, nickel plated (tightening torque ≤ 25 Nm)
Assembly position	optional (assembly on ferromagnetic material means reduction of switch distance)

Standards
DIN EN 60947-5-2

EU Conformity
acc. to directive 2014/30/EU (EMC-Directive)