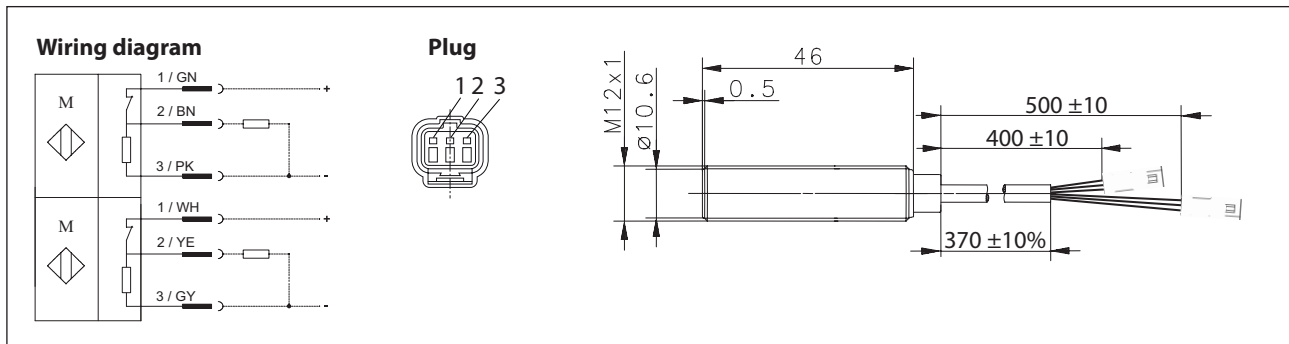


## Magnetic Sensor Series M12

Description **MEM-M12P2Ö/M03-0,5S**

Article number **6470162217**



### Identifying characteristics in accordance with EN 60947-5-2

Electrical data		
Assured operating distance	$S_a$	3 ... 30 mm
Switching function		2 x PNP, N.C.
Operational voltage range	$U_B$	10-30 VDC
Rated operational current	$I_e$	200 mA (each channel)
No-load supply current	$I_o$	< 20 mA
Voltage drop	$U_d$	< 3 V
Switching element		2 x GMR, typ. 3 mT
Short-circuit protection		yes
Assembly position		optional
False polarity protection		yes
Corresponding magnet		T-62 N/S

Mechanical data	
Enclosure	CuZn39Pb3
Front cap	PA 6.6
End cap	PA 12, transparent
Ambient air temperature	-25 °C ... +70 °C (cabel fixed mounted)
Type of protection	IP 67 acc. to IEC 529, EN 60529 (only sensor)
Termination type	Cable 6 x 0,34 mm <sup>2</sup> x 0,5 m; PVC-Outer jacket, gray with 2 x JST-plug connector, serie JWPF (pin contacts)

EU Conformity
acc. to directive 2014/30/EU (EMC-Directive)

Special characteristic
To achieve the degree of protection IP67 according to EN 60529, the wire ends and connectors must be protected by an appropriate housing.
Internal 33 kΩ pull-down resistor per output