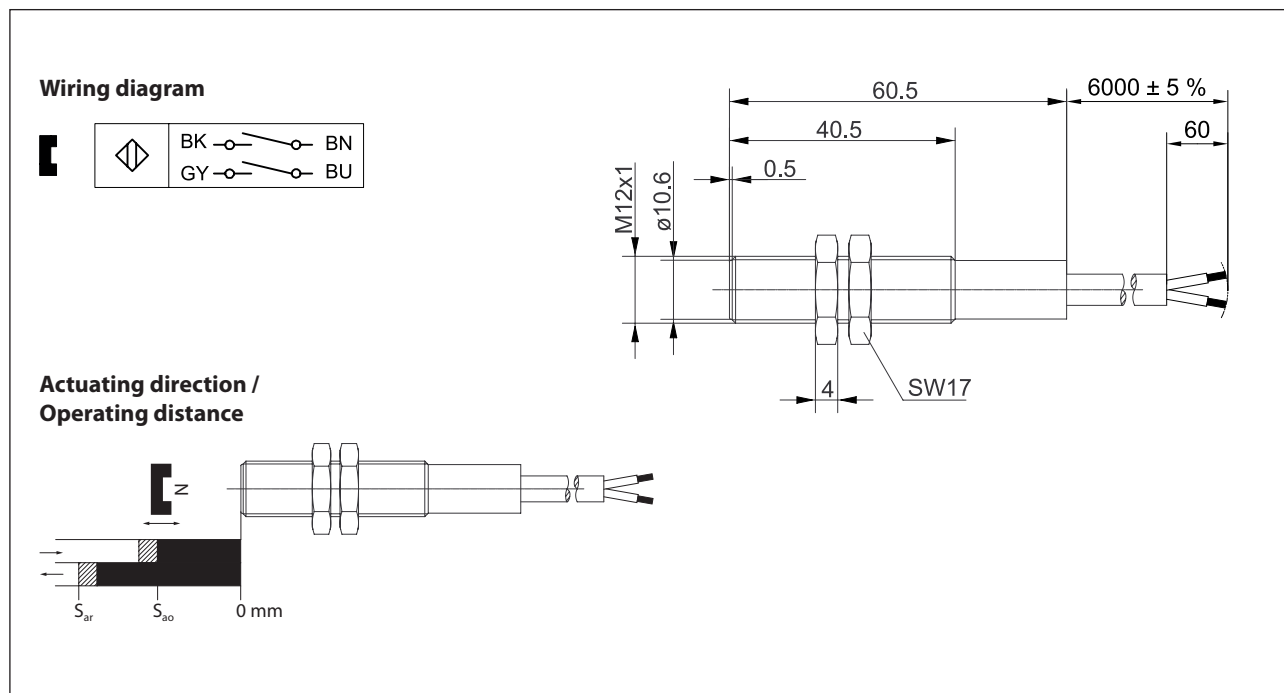


Magnetic Switch Series MA-18

Description **MAM-1822-6**

Article number **6420218189**



Technical data

Switching function	2 x N.O.
Reference magnet	T-62 N/S (6301262039)
Assured operating distance - ON	$S_{ao} \geq 18 \text{ mm}$
Assured operating distance - OFF	$S_{ar} \leq 37 \text{ mm}$
Repeat accuracy	R $\pm 0,1 \text{ mm}$, under same geometrical conditions at the same temperature
Utilization category	DC-12

Electrical data

Max. voltage	60 V _{AC} , 75 V _{DC}
Max. switching current	0,35 A _{AC} , 0,5 A _{DC}
Max. switching capacity	10 VA
Protection class acc. to EN IEC 61140	II (totally insulated)
Note	Combinations of switching voltage and switching current must not exceed the maximum switching capacity.

Mechanical data	
Enclosure	CuZn39Pb3; encapsulated reed contact
Front cap	PA 6.6, black
Temperature range	- 5 °C ... + 70 °C (cable not fixed mounted) - 25 °C ... + 70 °C (cable fixed mounted)
Mechanical life	3 x 10 ⁸ operating cycles
Vibration	30 G (50 - 2000 Hz)
Shock	100 G (11 ms, ½ Sinewave)
Protection type	IP 67 acc. to EN 60529
Termination type	Cable 4 x 0,25 mm ² ; PVC - Outer jacket, black
Assembly position	optional (assembly on ferromagnetic material means reduction of switch distance)
For attachment	2 x hexagon nut; brass, nickel plated

Standards	
	EN 60947-5-1
	EN 62246-1

EU Conformity	
	acc. to directive 2014/35/EU (Low-Voltage-Directive)

Notes	
Contact protection must be provided for inductive and capacitive loads.	