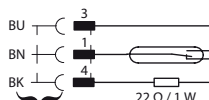


Magnetic Switch Series MA-29

Description **MAK-2913-L-STK-WID**

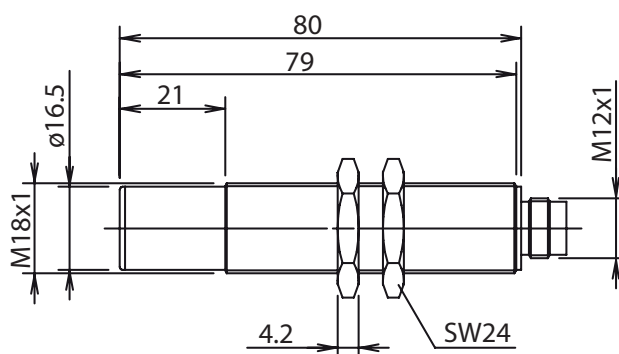
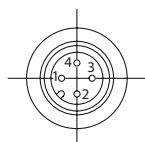
Article number **6416329362**

Wiring diagram



In conjunction with **BERNSTEIN** cable socket

Plug



Technical data

Switching function	Changeover switch; series resistance of 22Ω/1W in the NC circuit	
Reference magnet	T-62 N/S (6301262039)	
Assured operating distance - ON	S_{ao}	12 mm
Assured operating distance - OFF	S_{ar}	25 mm
Repeat accuracy	R	± 0,1 mm, under same geometrical conditions at the same temperature
Utilization category	DC-12	

Electrical data

Max. voltage	250 V closing circuit only
Max. switching current	1.0 A closing circuit only
Max. switching capacity	60 VA closing circuit only
Protection class acc. to EN 61140	II (totally insulated)
Note	Combinations of switching voltage and switching current must not exceed the maximum switching capacity.

Mechanical data

Enclosure	PA 6, encapsulated reed contact
Temperature range	- 5 °C ... + 70 °C
Mechanical life	3 x 10 ⁸ operating cycles
Protection type	IP 65 (with plugged and screwed cable socket) to EN 60529
Termination type	4-pin Vaudeha built-in plug
Assembly position	optional (assembly on ferromagnetic material means reduction of switch distance)
Fixing accessories	2 x hexagon nut (PA, black)

Standards
EN 60947-5-1
EN 62246-1
EU Conformity
acc. to directive 2014/35/EU (Low-Voltage-Directive)
Notes
Contact protection must be provided for inductive and capacitive loads.